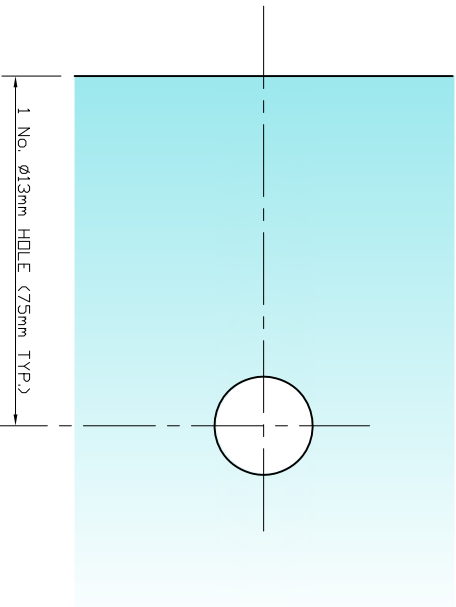
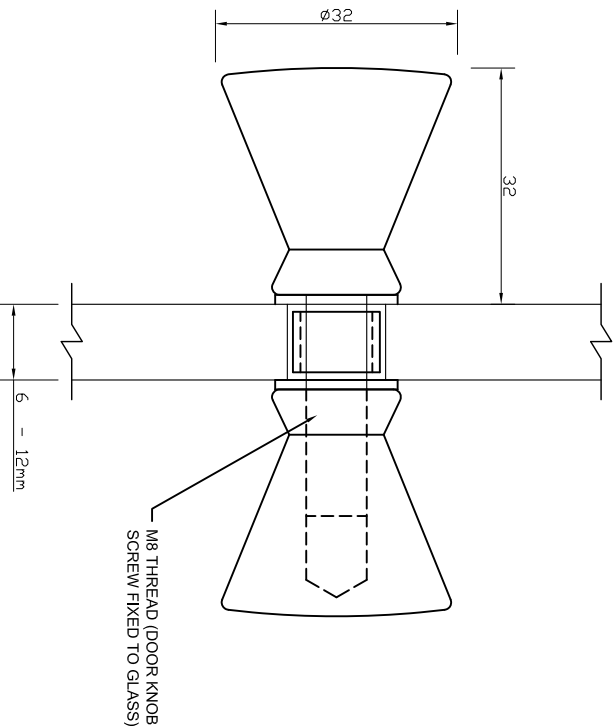


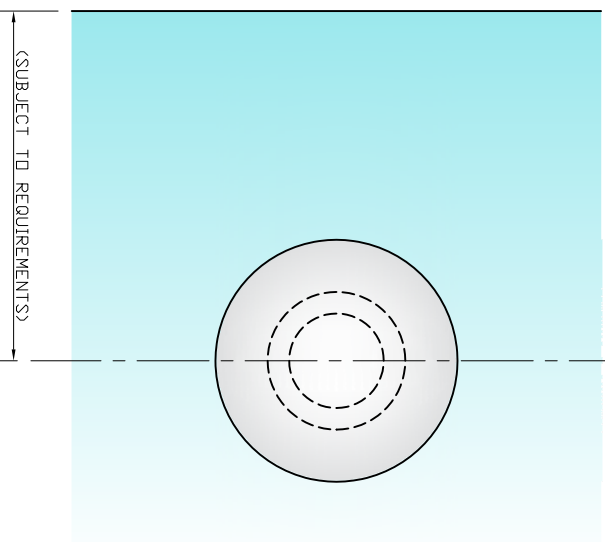
**REQUIRED  
GLASS PREP**  
(SCALE 1:1 (A4))



**SIDE VIEW  
ON DOOR KNOB**  
(SCALE 1:1 (A4))



**FRONT VIEW  
ON DOOR KNOB**  
(SCALE 1:1 (A4))



The Vision Group,  
6 Barnes Close,  
Brandon, Suffolk  
IP27 0NY

TEL: +44 (0)1842 816086  
FAX: +44 (0)1842 815515  
WEB: [www.spiralhardware.co.uk](http://www.spiralhardware.co.uk)  
E-MAIL: [info@spiralhardware.co.uk](mailto:info@spiralhardware.co.uk)

Copyright (c) - April 2008. All Rights Reserved

**NOTES/SPECIFICATION:**

- ALL DOOR KNOB COMPONENTS IN CHROME PLATED BRASS.
- PRODUCT SUITABLE FOR 6 TO 12mm TOUGHENED GLASS PANES.
- DOOR KNOB SUPPLIED COMPLETE WITH:-
- 1) 2 No. x 1.35mm TRANSLUCENT RUBBER GLAZING WASHERS
- 2) 1 No. DIA. 12mm WHITE PLASTIC INSERT TUBE

<b>PRODUCT REF:</b>	<b>SH/APH/K05</b>
DESCRIPTION:	DIMENSIONED ELEVATIONS AND GLASS PREP DETAILS
<b>DRAWING REF:</b>	<b>SH/APH/K05 - 001</b>