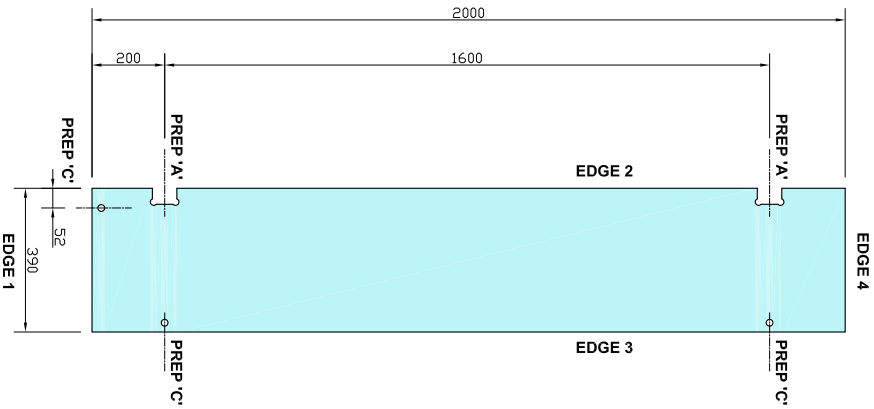
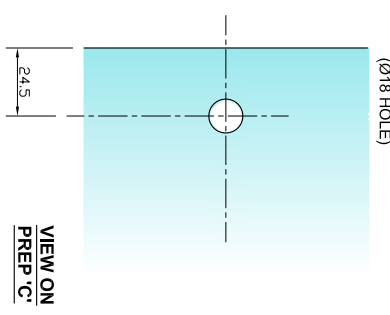
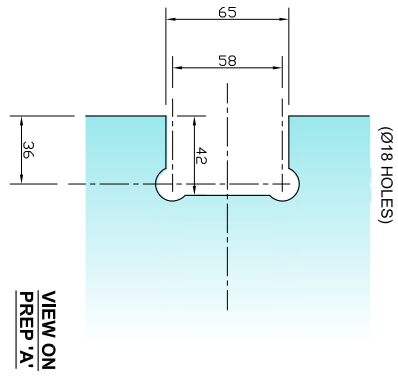
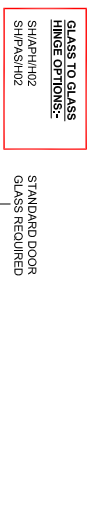


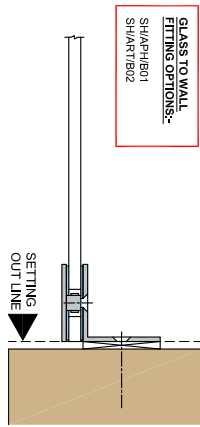
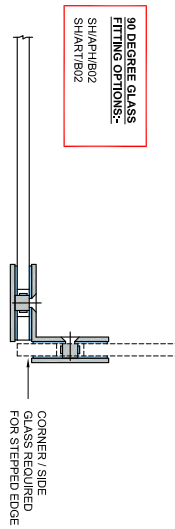
FRAMELESS GLASS SOLUTIONS - FIXED DOOR GLASS



EDGE 2 - EXAMPLE OPTIONS
(SCALE 1:5 (A4))

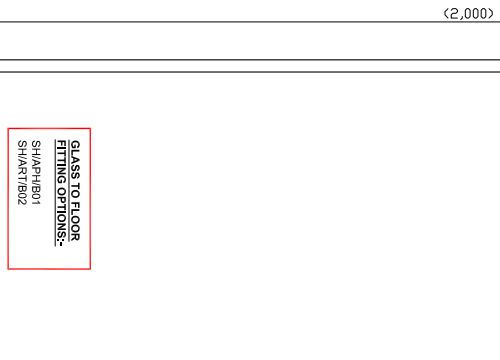
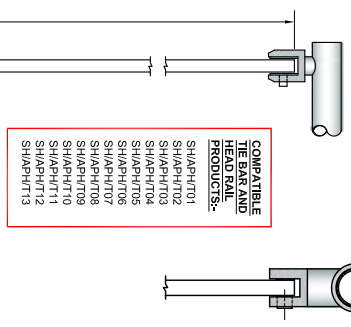


EDGE 3 - EXAMPLE OPTIONS
(SCALE 1:5 (A4))



VERTICAL SECTION THROUGH GLASS

(SCALE 1:5 (A4))



NOTES/SPECIFICATION:

GLASS SUPPLIED IN 8mm CLEAR TOUGHENED GLASS PANES, WITH POLISHED EDGES TO ALL SIDES. ALL TO BS EN12150-1

GLASS SUPPLIED COMPLETE WITH GLASS PREPARATION DETAILS, TO SUIT OUR STANDARD FITTING COMPONENTS (AS LISTED).

(NOTE - FRAMELESS GLASS SOLUTIONS CAN DESIGN/PROVIDE BESPOKE GLASS PANES IF REQUIRED. TYPICAL VARIATIONS INCLUDE FINISH, SHAPING AND DIMENSIONAL (INCLUDING GLASS THICKNESS))



The Vision Group,
6 Barnes Close,
Brandon, Suffolk
IP27 0NY

TEL: +44 (0)1842 816086
FAX: +44 (0)1842 815515
WEB: www.spiralhardware.co.uk
E-MAIL: info@spiralhardware.co.uk

Copyright (c) - April 2008. All Rights Reserved

PRODUCT REF:	FGS/APG/F05
DESCRIPTION:	STANDARD STOCKED GLASS DIMENSIONED ELEVATIONS AND PRODUCT COMPATIBILITY DETAILS
DRAWING REF:	FGS/APG/F05 - 001