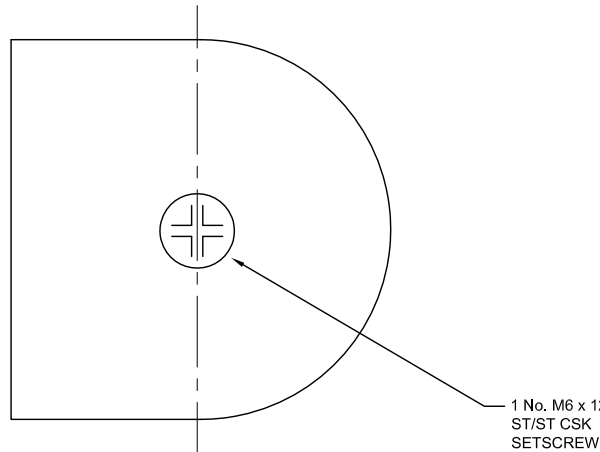


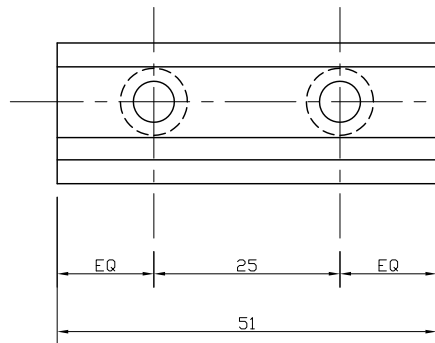
**BACK VIEW
ON FITTING**

(SCALE 1:1 (A4))



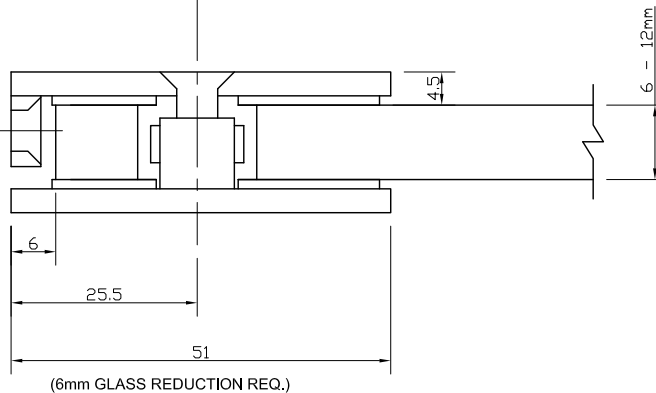
**REAR VIEW
ON FITTING**

(SCALE 1:1 (A4))



**SECTION
THROUGH
FITTING**

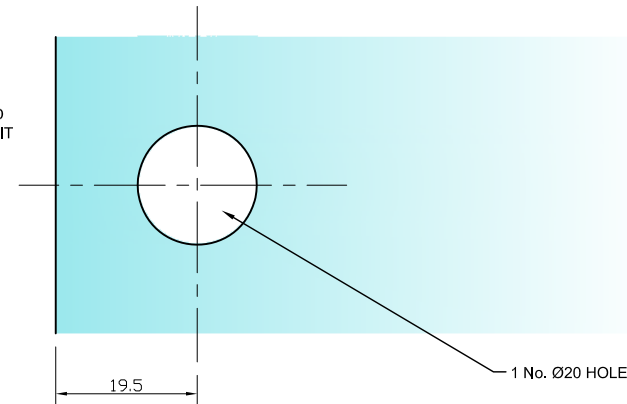
(SCALE 1:1 (A4))



**REQUIRED
GLASS PREP**

(SCALE 1:1 (A4))

HOLE PREP CAN BE SLOTTED
(5mm) TO GLASS EDGE TO SUIT
FABRICATORS LIMITATIONS



The Vision Group,
6 Barnes Close,
Brandon, Suffolk
IP27 0NY

TEL: +44 (0)1842 816086
FAX: +44 (0)1842 815515
WEB: www.spiralhardware.co.uk
E-MAIL: info@spiralhardware.co.uk

Copyright (c) - April 2008, All Rights Reserved

NOTES/SPECIFICATION:

ALL FITTING COMPONENTS IN SATIN STAINLESS STEEL.

PRODUCT SUITABLE FOR 6 TO 10mm TOUGHENED GLASS PANES.

FITTING SUPPLIED COMPLETE WITH:-

- 1) 4 No. x 1.25mm TRANSLUCENT RUBBER GLAZING WASHERS
- 2) 1 No. M6 x 12mm ST/ST POSI DRIVE CSK SETSCREWS
- 4) 2 No. 10 x 40mm POSI DRIVE SCREWS AND PLASTIC PLUGS

(NOTE CUSTOMER TO PROVIDE ALTERNATIVE FIXINGS WHERE REQUIRED)

PRODUCT REF:	SH/ART/B05
DESCRIPTION:	DIMENSIONED ELEVATIONS AND GLASS PREP DETAILS * *
DRAWING REF:	SH/ART/B05 - 001B