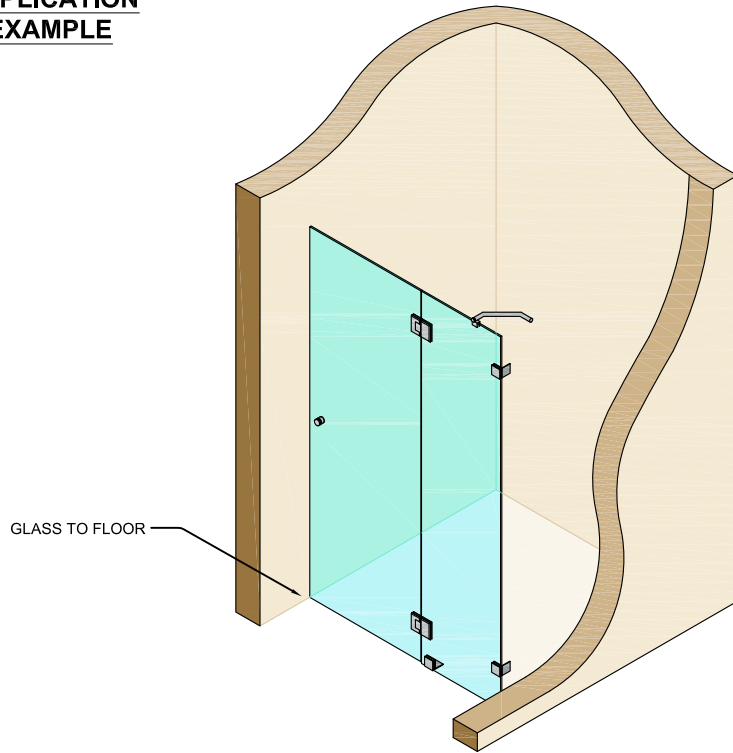


**APPLICATION
EXAMPLE**

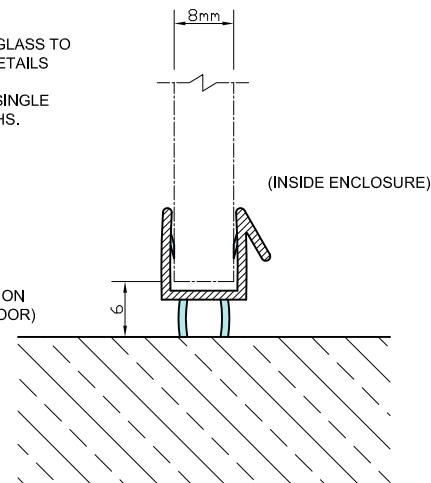


**END VIEW
ON SEAL**
(SCALE 1:1 (A4))

SEAL SUITABLE FOR GLASS TO
FLOOR MOVEMENT DETAILS

SEALS PROVIDED IN SINGLE
UNITS @ 1.1m LENGTHS.

(6mm GLASS REDUCTION
REQUIRED ALONG FLOOR)



The Vision Group,
6 Barnes Close,
Brandon, Suffolk
IP27 0NY

TEL: +44 (0)1842 816086
FAX: +44 (0)1842 815515
WEB: www.spiralhardware.co.uk
E-MAIL: info@spiralhardware.co.uk

Copyright (c) - April 2008, All Rights Reserved

NOTES/SPECIFICATION:

GLAZING SEALS SUPPLIED TRANSLUCENT PLASTIC AND RUBBER PROFILES.

GLAZING SEAL SUITABLE FOR 8mm GLASS PANES

PLEASE NOTE THE REQUIRED GLASS REDUCTION ALONG THE ASSOCIATED SEAL DETAIL.

PRODUCT REF:	SH/GGA/S04
DESCRIPTION:	DIMENSIONED ELEVATIONS AND PRODUCT DETAILS * *
DRAWING REF:	SH/GGA/S04 - 001