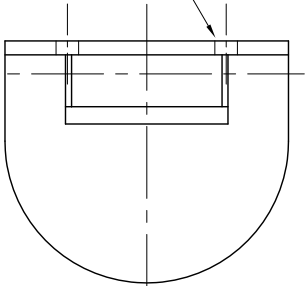
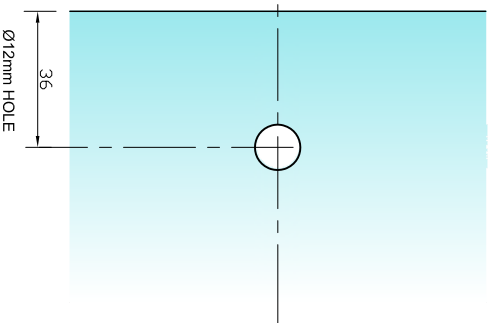


**REAR VIEW
ON HINGE**
(SCALE 1:2 (A4))

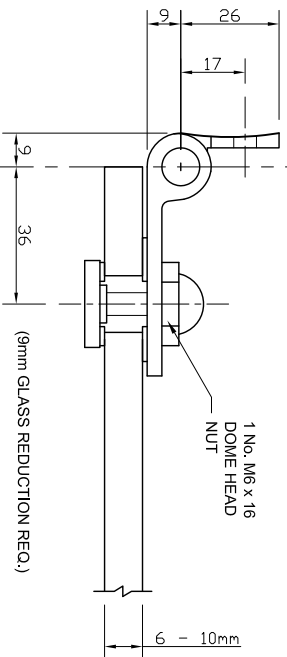
2 No. M6 x 16
TO SUIT M6
SETSCREWS



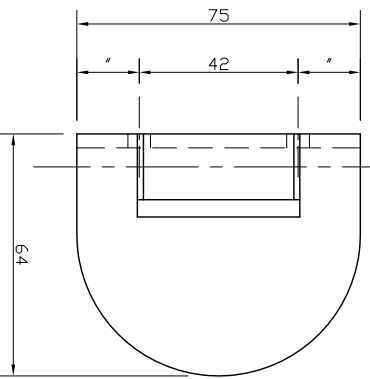
**REQUIRED
GLASS PREP**
(SCALE 1:2 (A4))



**PLAN VIEW
ON HINGE**
(SCALE 1:2 (A4))



**FRONT VIEW
ON HINGE**
(SCALE 1:2 (A4))



The Vision Group,
6 Barnes Close,
Brandon, Suffolk
IP27 0NY

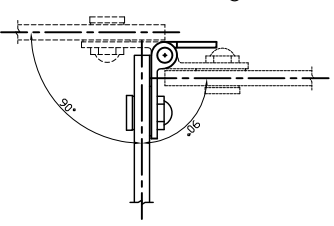
TEL: +44 (0)1842 816086
FAX: +44 (0)1842 815515
WEB: www.spiralhardware.co.uk
E-MAIL: info@spiralhardware.co.uk

Copyright (c) - April 2008. All Rights Reserved

NOTES/SPECIFICATION:

- ALL HINGE COMPONENTS IN CHROME PLATED BRASS.
- PRODUCT SUITABLE FOR 6 TO 10mm TOUGHENED GLASS PANES.
- HINGE SUPPLIED COMPLETE WITH:-
 - 1) 2 No. x 1.25mm TRANSLUCENT RUBBER GLAZING WASHERS.
 - 2) 1 No. M6 DOME HEADED NUT.
 - 3) 2 No. M6 x 12mm STAINLESS STEEL DOME HEADED SETSCREWS.
- (NOTE CUSTOMER TO PROVIDE ALTERNATIVE FIXINGS WHERE REQUIRED)

DIAGRAM INDICATES THE
CORRECT POSITIONING OF THE
HINGE TO THE GLASS
(IE WALL BRACKET ROTATION
MENDICONS IS OCCASION
RESPONSIBLE TO SUPPLIER)



PRODUCT REF: SH/ATU/H07

DESCRIPTION: DIMENSIONED ELEVATIONS AND
REQUIRED GLASS PREP DETAIL

DRAWING REF: SH/ATU/H07 - 001