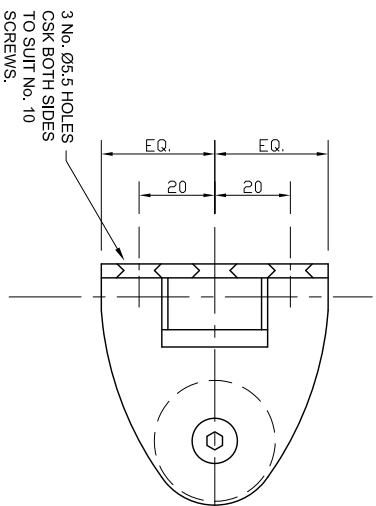
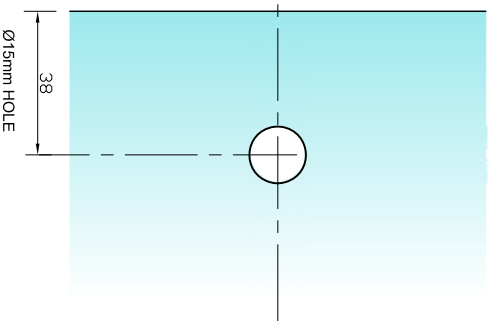


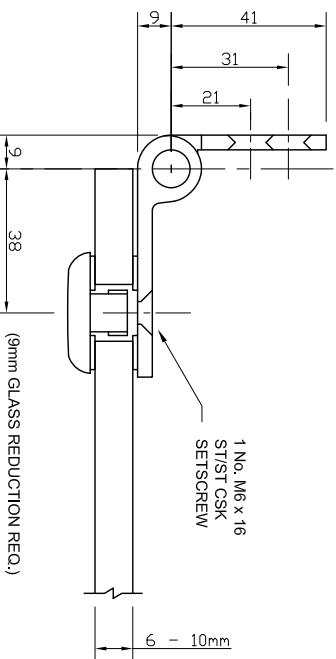
**REAR VIEW
ON HINGE**
(SCALE 1:2 (A4))



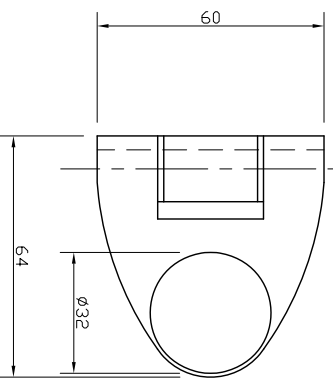
**REQUIRED
GLASS PREP**
(SCALE 1:2 (A4))



**PLAN VIEW
ON HINGE**
(SCALE 1:2 (A4))



**FRONT VIEW
ON HINGE**
(SCALE 1:2 (A4))



NOTES/SPECIFICATION:

ALL HINGE COMPONENTS IN CHROME PLATED BRASS.

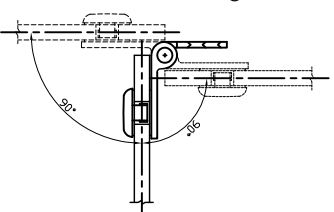
PRODUCT SUITABLE FOR 6 TO 10mm TOUGHENED GLASS PANES.

HINGE SUPPLIED COMPLETE WITH:-

- 1) 2 No. x 1.25mm TRANSLUCENT RUBBER GLAZING WASHERS.
- 2) 1 No. M6 x 16mm ST/ST HEX SOCKET HEAD CSK SETSCREWS
- 3) 1 No. HEX SOCKET ALLEN KEY TO SUIT

(NOTE CUSTOMER TO PROVIDE ALTERNATIVE FIXINGS WHERE REQUIRED)

DIAGRAM INDICATES THE
CORRECT POSITIONING OF THE
HINGE TO THE GLASS
WITH THIS HINGE PRODUCT
(IE WALL BRACKET ROTATION
MENDACON IS OCCURED CENTER
MENDACON IS SHOWN IN
DOTTED LINE POSITION)



The Vision Group,
6 Barnes Close,
Brandon, Suffolk
IP27 0NY

TEL: +44 (0)1842 816086
FAX: +44 (0)1842 815515
WEB: www.spiralhardware.co.uk
E-MAIL: info@spiralhardware.co.uk

Copyright (c) - April 2008. All Rights Reserved

PRODUCT REF: SH/ATU/H05

DESCRIPTION: DIMENSIONED ELEVATIONS AND
REQUIRED GLASS PREP DETAIL

DRAWING REF: SH/ATU/H05 - 001