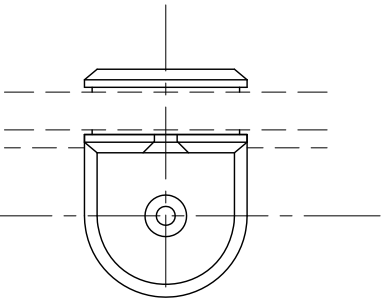
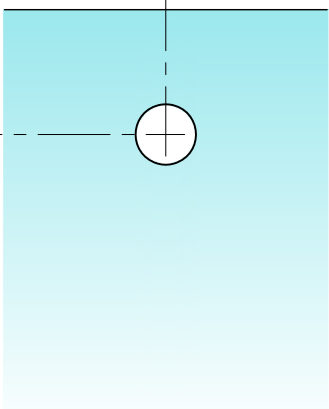


**REAR VIEW
ON FITTING**
(SCALE 1:2 (A4))

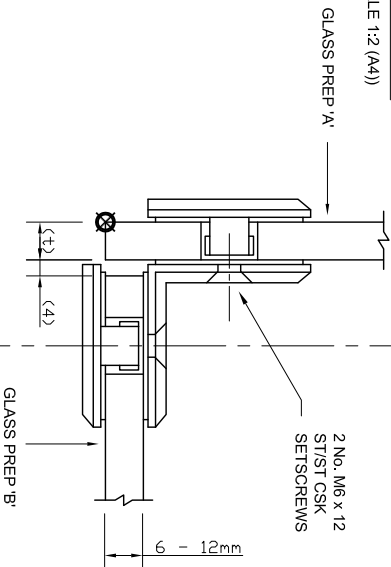


**REQUIRED
GLASS PREP 'A'**
(SCALE 1:2 (A4))



(Ø16mm HOLE)
DIM X = 23mm + DIM (t) (GLASS THICKNESS)

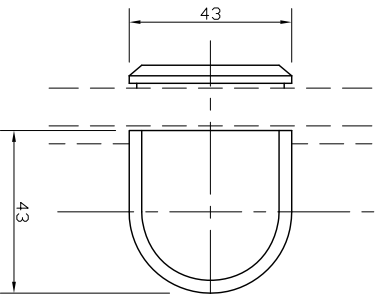
**PLAN VIEW
ON FITTING**
(SCALE 1:2 (A4))



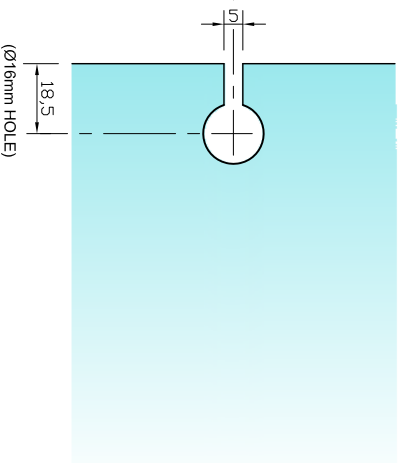
(GLASS REDUCTION/ADDITION REQ. FROM OUTSIDE GLASS CORNER DATUM HIGHLIGHTED):-

+ 0mm (PREP 'A' GLASS)
- (DIM (t) + 4mm) (PREP 'B' GLASS)

**FRONT VIEW
ON FITTING**
(SCALE 1:2 (A4))



**REQUIRED
GLASS PREP 'B'**
(SCALE 1:2 (A4))



The Vision Group,
6 Barnes Close,
Brandon, Suffolk
IP27 0NY

TEL: +44 (0)1842 816086
FAX: +44 (0)1842 815515
WEB: www.spiralhardware.co.uk
E-MAIL: info@spiralhardware.co.uk

Copyright (c) - April 2008. All Rights Reserved

NOTES/SPECIFICATION:

ALL FITTING COMPONENTS IN CHROME PLATED BRASS.

PRODUCT SUITABLE FOR 6 TO 12mm TOUGHENED GLASS PANES.

FITTING SUPPLIED COMPLETE WITH:-

- 1) 4 No. x 1.25mm TRANSLUCENT RUBBER GLAZING WASHERS,
- 2) 2 No. M6 x 12mm ST/ST POSH-DRIVE HEAD CSK SETSCREWS

(NOTE CUSTOMER TO PROVIDE ALTERNATIVE FIXINGS WHERE REQUIRED)

PRODUCT REF: SH/CRS/B02

DESCRIPTION: DIMENSIONED ELEVATIONS AND REQUIRED GLASS PREP DETAIL

DRAWING REF: SH/CRS/B02 - 001A