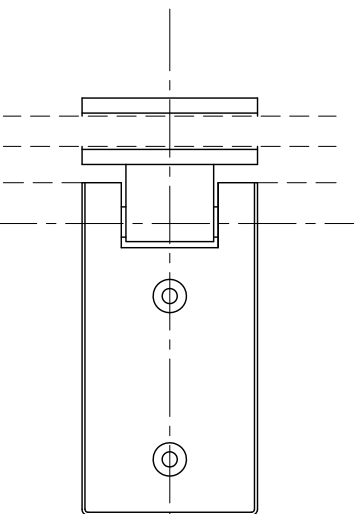
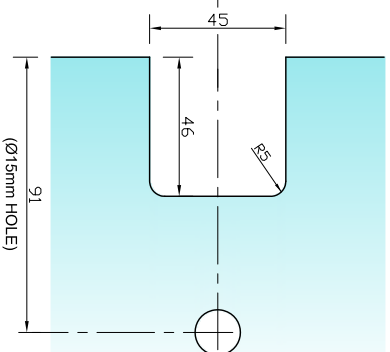


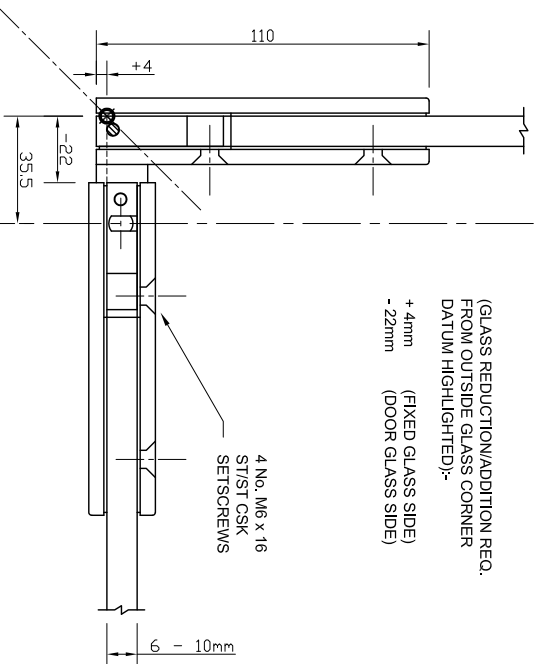
**REAR VIEW
ON HINGE**
(SCALE 1:2.5 (A4))



**REQUIRED
GLASS PREP**
TO BOTH FIXED
AND DOOR GLASS
(SCALE 1:2.5 (A4))



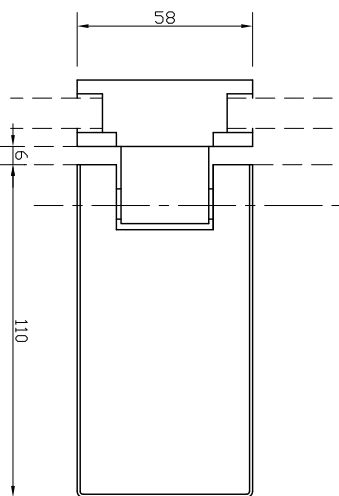
**PLAN VIEW
ON HINGE**
(SCALE 1:2.5 (A4))



(GLASS REDUCTION/ADDITION REQ.
FROM OUTSIDE GLASS CORNER
DATUM HIGHLIGHTED)-
+ 4mm (FIXED GLASS SIDE)
- 22mm (DOOR GLASS SIDE)

4 No. M6 x 16
ST/ST CSK
SETSCREWS

**FRONT VIEW
ON HINGE**
(SCALE 1:2.5 (A4))



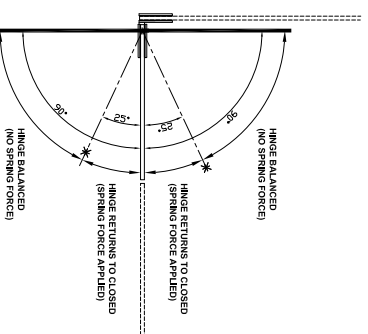
The Vision Group,
6 Barnes Close,
Brandon, Suffolk
IP27 0NY

TEL: +44 (0)1842 816086
FAX: +44 (0)1842 815515
WEB: www.spiralhardware.co.uk
E-MAIL: info@spiralhardware.co.uk

Copyright (c) - April 2008. All Rights Reserved

NOTES/SPECIFICATION:

- ALL HINGE COMPONENTS IN CHROME PLATED BRASS.
PRODUCT SUITABLE FOR 6 TO 10mm TOUGHENED GLASS PANES.
HINGE SUPPLIED COMPLETE WITH:-
- 1) 4 No. x 1.7mm TRANSLUCENT RUBBER GLAZING WASHERS.
 - 2) 4 No. x 1.1mm TRANSLUCENT RUBBER GLAZING WASHERS
 - 3) 4 No. M6 x 16mm ST/ST HEX SOCKET HEAD CSK SETSCREWS
 - 4) 1 No. HEX SOCKET ALLEN KEY TO SUIT
- (NOTE CUSTOMER TO PROVIDE ALTERNATIVE FIXINGS WHERE REQUIRED)



PRODUCT REF: SH/APH/H08

DESCRIPTION: DIMENSIONED ELEVATIONS AND
REQUIRED GLASS PREP DETAIL

DRAWING REF: SH/APH/H08 - 001