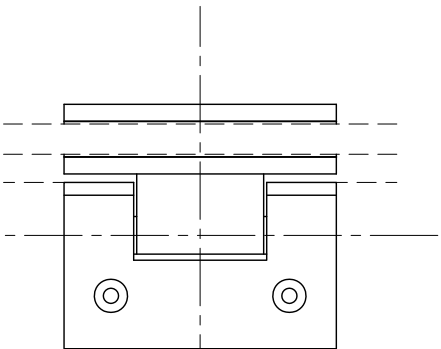
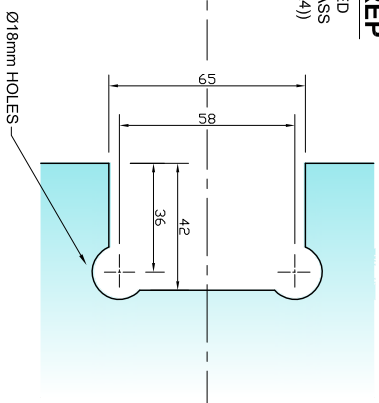


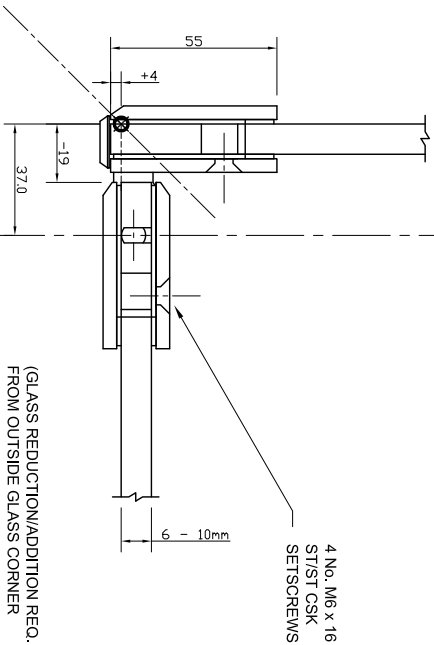
**REAR VIEW  
ON HINGE**  
(SCALE 1:2.5 (A4))



**REQUIRED  
GLASS PREP**  
TO BOTH FIXED  
AND DOOR GLASS  
(SCALE 1:2.5 (A4))



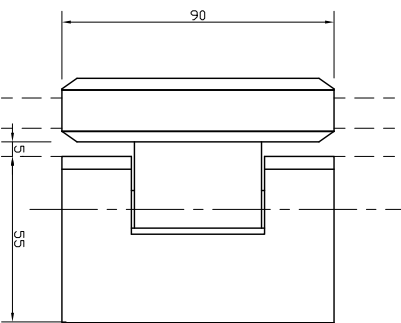
**PLAN VIEW  
ON HINGE**  
(SCALE 1:2.5 (A4))



(GLASS REDUCTION/ADDITION REQ.  
FROM OUTSIDE GLASS CORNER  
DATUM HIGHLIGHTED)-

+ 4mm (FIXED GLASS SIDE)  
- 19mm (DOOR GLASS SIDE)

**FRONT VIEW  
ON HINGE**  
(SCALE 1:2.5 (A4))



The Vision Group,  
6 Barnes Close,  
Brandon, Suffolk  
IP27 0NY

TEL: +44 (0)1842 816086  
FAX: +44 (0)1842 815515  
WEB: www.spiralhardware.co.uk  
E-MAIL: info@spiralhardware.co.uk

Copyright (c) - April 2008. All Rights Reserved

**NOTES/SPECIFICATION:**

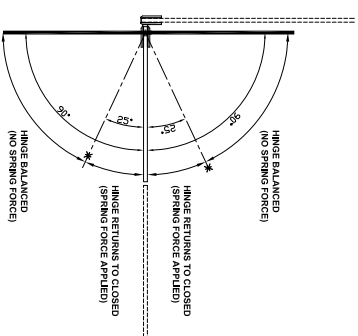
ALL HINGE COMPONENTS IN SATIN STAINLESS STEEL.

PRODUCT SUITABLE FOR 6 TO 10mm TOUGHENED GLASS PANES.

HINGE SUPPLIED COMPLETE WITH:-

- 1) 8 No. x 1.25mm TRANSLUCENT RUBBER GLAZING WASHERS.
- 2) 4 No. M6 x 16mm ST/ST HEX SOCKET HEAD CSK SETSCREWS
- 3) 1 No. HEX SOCKET ALLEN KEY TO SUIT

(NOTE CUSTOMER TO PROVIDE ALTERNATIVE FIXINGS WHERE REQUIRED)



**PRODUCT REF: SH/PAS/H05**

DESCRIPTION: DIMENSIONED ELEVATIONS AND  
REQUIRED GLASS PREP DETAIL

DRAWING REF: SH/PAS/H05 - 001