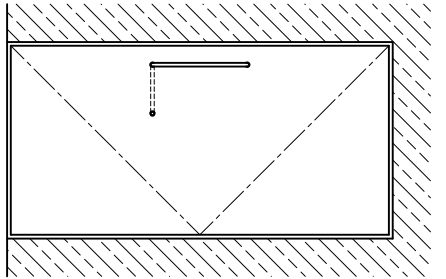


EXAMPLE VIEWS ON TYPICAL DOOR

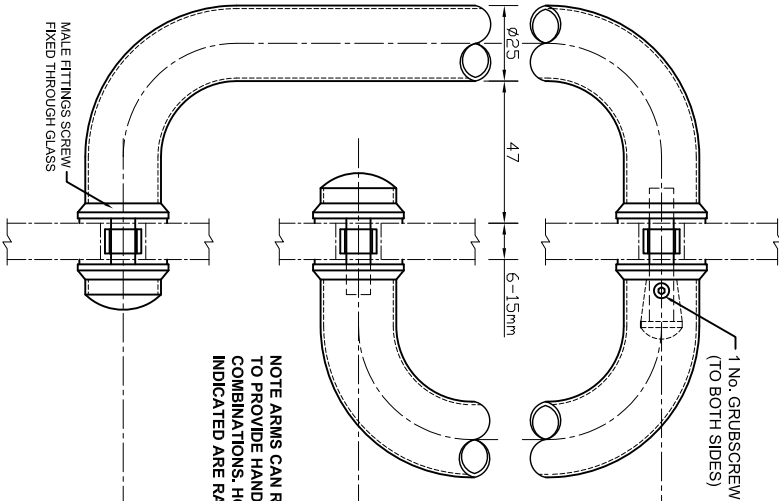


**SIDE VIEW
ON HANDLE**

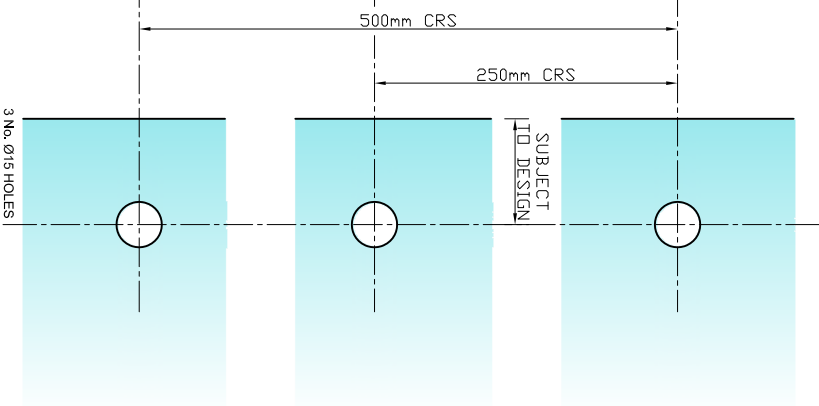
(SCALE 1:2 (A4))

**REQUIRED
GLASS PREP**

(SCALE 1:2 (A4))



NOTE ARMS CAN ROTATE TO PROVIDE HANDLE/RAIL COMBINATIONS. HOLE CRS INDICATED ARE RADIAL CRS.



The Vision Group,
6 Barnes Close,
Brandon, Suffolk
IP27 0NY

TEL: +44 (0)1842 816086
FAX: +44 (0)1842 815515
WEB: www.spiralhardware.co.uk
E-MAIL: info@spiralhardware.co.uk

Copyright (c) - April 2008. All Rights Reserved

NOTES/SPECIFICATION:

PULL HANDLE COMPONENTS SUPPLIED IN POLISHED STAINLESS STEEL.
PULL HANDLE SUITABLE FOR 6 TO 15mm GLASS PANES.

PRODUCT REF:	SH/GGAP10
DESCRIPTION:	DIMENSIONED ELEVATIONS AND PRODUCT DETAILS
DRAWING REF:	SH/GGAP10 - 001