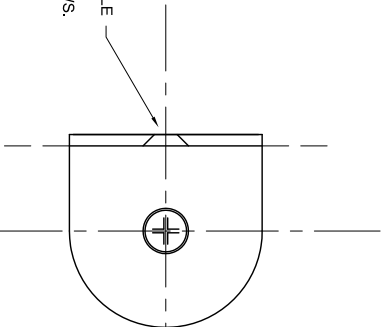


**REAR VIEW
ON FITTING**

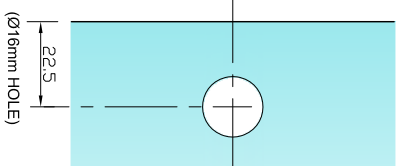
(SCALE 1:2 (A4))

1 No. Ø5.5 HOLE
CSK TO SUIT
No. 10 SCREWS.



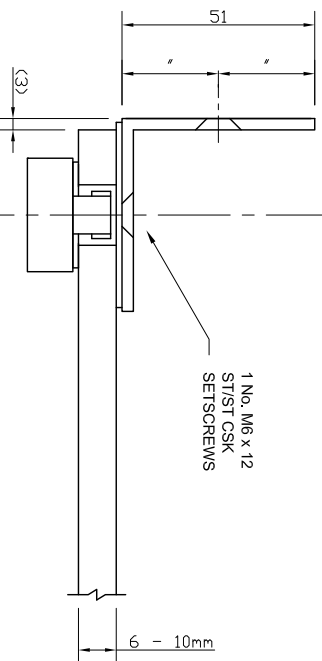
**REQUIRED
GLASS PREP**

(SCALE 1:2 (A4))



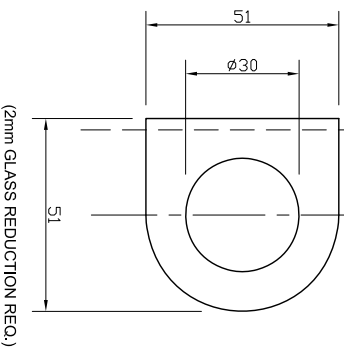
**PLAN VIEW
ON FITTING**

(SCALE 1:2 (A4))



**FRONT VIEW
ON FITTING**

(SCALE 1:2 (A4))



The Vision Group,
6 Barnes Close,
Brandon, Suffolk
IP27 0NY

TEL: +44 (0)1842 816086
FAX: +44 (0)1842 815515
WEB: www.spiralhardware.co.uk
E-MAIL: info@spiralhardware.co.uk

Copyright (c) - April 2008. All Rights Reserved

NOTES/SPECIFICATION:

- ALL FITTING COMPONENTS IN POLISHED STAINLESS STEEL.
 - PRODUCT SUITABLE FOR 6 TO 10mm TOUGHENED GLASS PANES.
 - FITTING SUPPLIED COMPLETE WITH:-
 - 1) 2 No. x 1.25mm TRANSLUCENT RUBBER GLAZING WASHERS,
 - 2) 1 No. M6 x 12mm ST/ST POSH-DRIVE HEAD CSK SETSCREWS,
 - 3) 1 No. 10 x 40mm POSI DRIVE SCREW AND PLASTIC PLUG
- (NOTE CUSTOMER TO PROVIDE ALTERNATIVE FIXINGS WHERE REQUIRED)

| | |
|---------------------|--|
| PRODUCT REF: | SH/ATU/B06 |
| DESCRIPTION: | DIMENSIONED ELEVATIONS AND REQUIRED GLASS PREP DETAIL |
| DRAWING REF: | SH/ATU/B06 - 001A |