

Unit 9,
Wimbledon Avenue,
Brandon, Suffolk
IP27 0NZ

TEL: +44 (0)1842 811818
FAX: +44 (0)1842 815515
WEB: www.spiralhardware.co.uk
E-MAIL: sales@spiralhardware.co.uk

Copyright (c) - April 2008, All Rights Reserved

NOTES/SPECIFICATION:

GLASS BATH SCREEN KIT

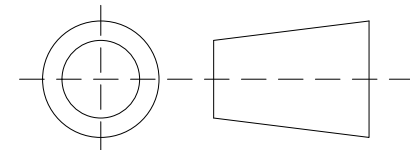
8mm CLEAR TOUGHENED SAFETY GLASS PANEL WITH EDGES CHAMFERED AND POLISHED, CAN BE INSTALLED EITHER HAND.

FULL LENGTH WALL HINGE WITH SLIP CHANNEL PROFILE TO ACCOMMODATE OUT OF SQUARE WALLS AND HIDDEN FIXINGS IN MATT BLACK FINISH. WALL PROFILE CAN ACCOMMODATE A RUNOUT OF UP TO 15mm OVER THE HEIGHT OF THE HINGE.

HINGE RISES AS IT OPENS AND SELF CENTRES / HOLDS OPEN AT 90 IN AND OUT.

SEE PAGE 2 FOR PLAN VIEW

3rd Angle Projection

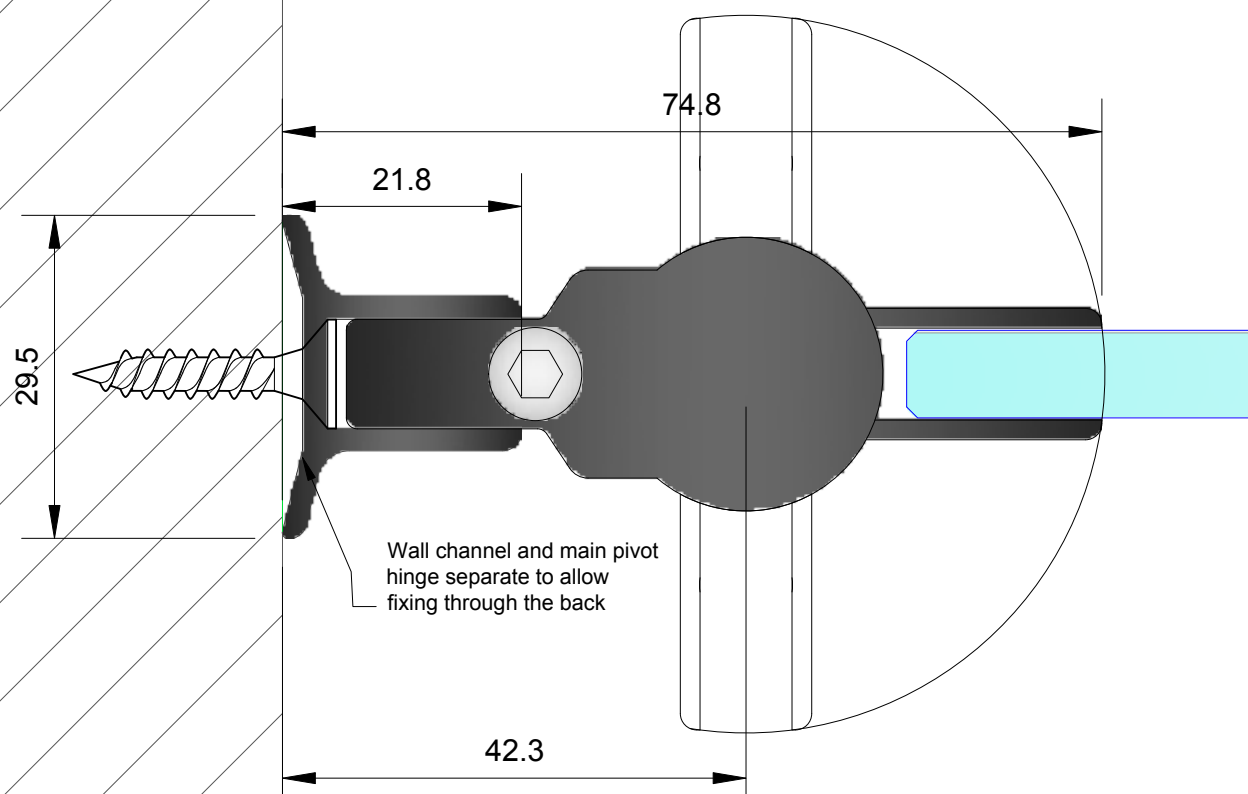


PRODUCT REF:	SH/FGS/BS01/B
DESCRIPTION:	DIMENSIONED ELEVATIONS AND PRODUCT DETAILS * AB - 26/10/18
DRAWING REF:	SH/FGS/BS01/B_001A

Unit 9,
Wimbledon Avenue,
Brandon, Suffolk
IP27 0NZ

TEL: +44 (0)1842 811818
FAX: +44 (0)1842 815515
WEB: www.spiralhardware.co.uk
E-MAIL: sales@spiralhardware.co.uk

Copyright (c) - April 2008, All Rights Reserved



NOTES/SPECIFICATION:

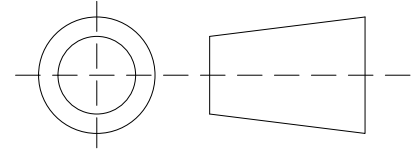
GLASS BATH SCREEN KIT

8mm CLEAR TOUGHENED SAFETY GLASS PANEL WITH EDGES CHAMFERED AND POLISHED, CAN BE INSTALLED EITHER HAND.

FULL LENGTH WALL HINGE WITH SLIP CHANNEL PROFILE TO ACCOMMODATE OUT OF SQUARE WALLS AND HIDDEN FIXINGS IN MATT BLACK FINISH. WALL PROFILE CAN ACCOMMODATE A RUNOUT OF UP TO 15mm OVER THE HEIGHT OF THE HINGE.

HINGE RISES AS IT OPENS AND SELF CENTRES / HOLDS OPEN AT 90 IN AND OUT.

3rd Angle Projection



PRODUCT REF:	SH/FGS/BS01/B
DESCRIPTION:	DIMENSIONED ELEVATIONS AND PRODUCT DETAILS * AB - 26/10/18
DRAWING REF:	SH/FGS/BS01/B_002A