

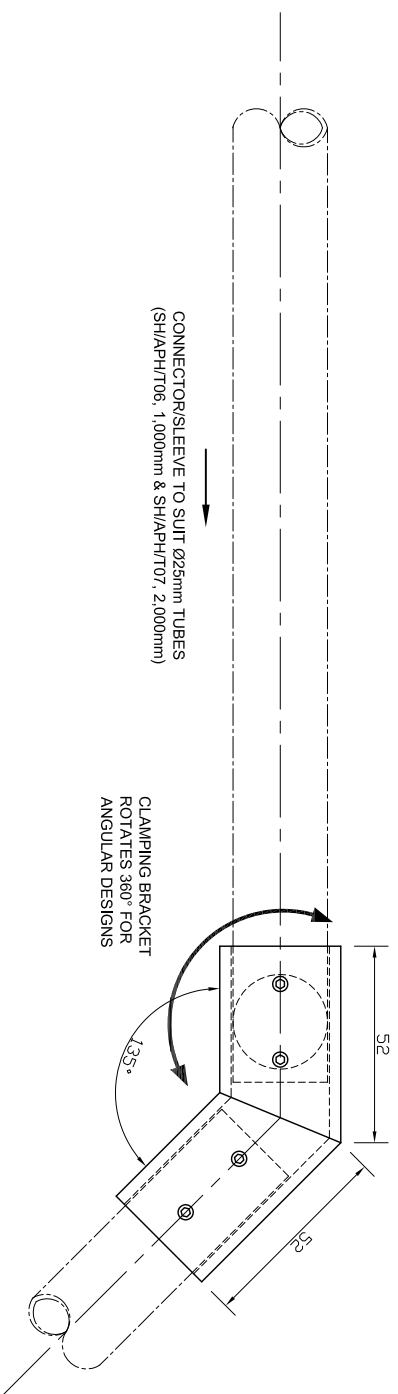


The Vision Group,
6 Barnes Close,
Brandon, Suffolk
IP27 0NY

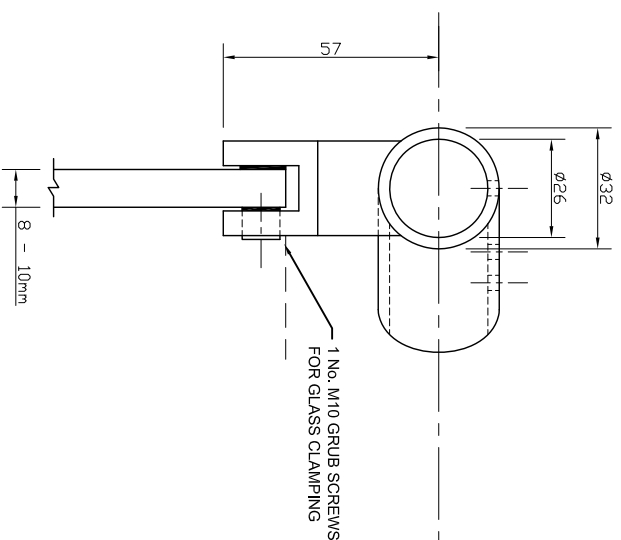
TEL: +44 (0)1842 816086
FAX: +44 (0)1842 815515
WEB: www.spiralhardware.co.uk
E-MAIL: info@spiralhardware.co.uk

Copyright (c) - April 2008. All Rights Reserved

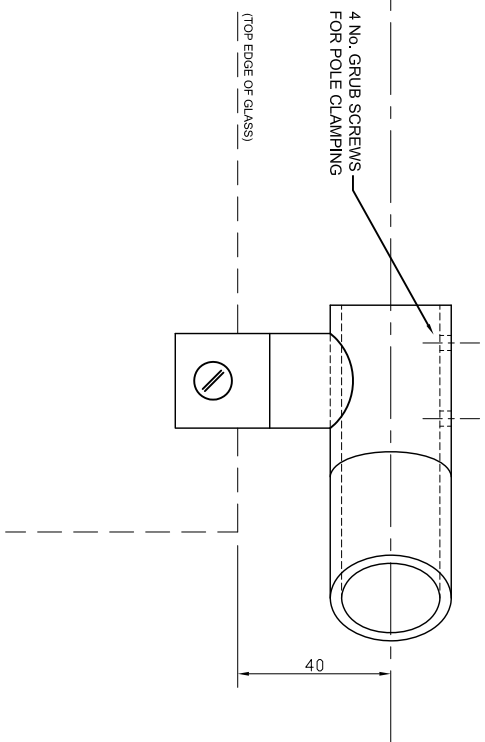
**PLAN VIEW
ON CONNECTOR**
(SCALE 1:2 (A4))



**END VIEW
ON CONNECTOR**
(SCALE 1:2 (A4))



**SIDE VIEW
ON CONNECTOR**
(SCALE 1:2 (A4))



NOTES/SPECIFICATION:

- ALL THE BAR CONNECTOR COMPONENTS IN CHROME PLATED BRASS.
 - THE BAR CONNECTOR SUPPLIED COMPLETE WITH:-
 - 1) 4 No. STAINLESS STEEL HEX SOCKET GRUB SCREWS,
 - 2) 1 No. HEX SOCKET ALLEN KEY TO SUIT
 - 3) 1 No. M10 HEX SOCKET GLAZING CLAMP GRUB SCREW
- (NOTE CUSTOMER TO PROVIDE ALTERNATIVE FIXINGS WHERE REQUIRED)

THE BAR CONNECTOR SUITABLE FOR Ø25mm TIE BAR TUBES:-

SH/APH/T06	-	(1,000mm LENGTH, CHROME PLATED BRASS)
SH/APH/T07	-	(2,000mm LENGTH, CHROME PLATED BRASS)

PRODUCT REF:	SH/APH/T11
DESCRIPTION:	DIMENSIONED ELEVATIONS AND CONNECTION DETAILS
DRAWING REF:	SH/APH/T11 - 001