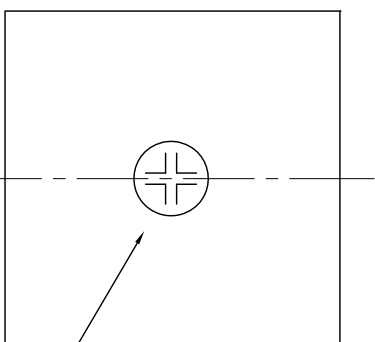


**BACK VIEW
ON FITTING**

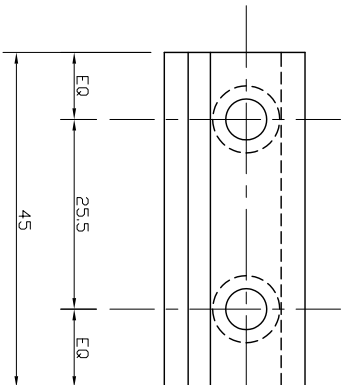
(SCALE 1:1 (A4))



1 No. M6 x 12
ST/ST CSK
SETS CREW

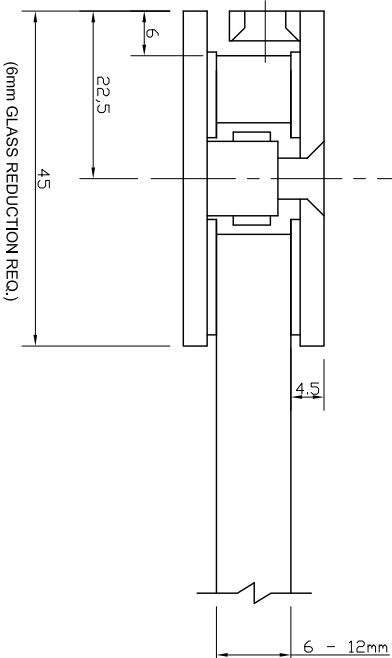
**REAR VIEW
ON FITTING**

(SCALE 1:1 (A4))



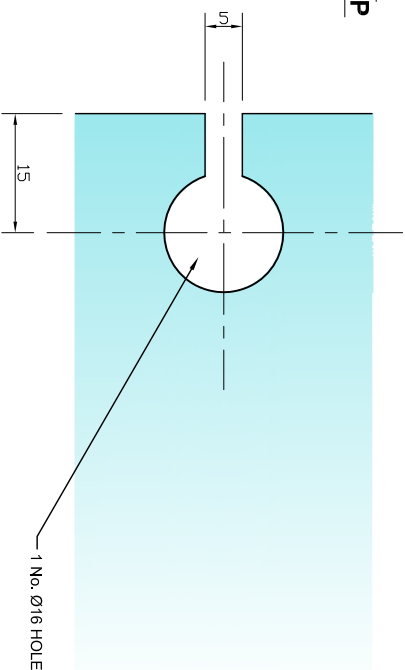
**SECTION
THROUGH
FITTING**

(SCALE 1:1 (A4))



**REQUIRED
GLASS PREP**

(SCALE 1:1 (A4))



NOTES/SPECIFICATION:

- ALL FITTING COMPONENTS IN SATIN STAINLESS STEEL.
PRODUCT SUITABLE FOR 6 TO 12mm TOUGHENED GLASS PANES.
FITTING SUPPLIED COMPLETE WITH:-
- 1) 2 No. x 1.25mm TRANSLUCENT RUBBER GLAZING WASHERS
 - 2) 1 No. M6 x 12mm ST/ST POSI DRIVE CSK SETSCREWS
 - 4) 2 No. 10 x 40mm POSI DRIVE SCREWS AND PLASTIC PLUGS
- (NOTE CUSTOMER TO PROVIDE ALTERNATIVE FIXINGS WHERE REQUIRED)

The Vision Group,
6 Barnes Close,
Brandon, Suffolk
IP27 0NY

TEL: +44 (0)1842 816086
FAX: +44 (0)1842 815515
WEB: www.spiralhardware.co.uk
E-MAIL: info@spiralhardware.co.uk

Copyright (c) - April 2008. All Rights Reserved

PRODUCT REF: SH/PAS/B05

DESCRIPTION: DIMENSIONED ELEVATIONS AND GLASS PREP DETAILS

DRAWING REF: SH/PAS/B05 - 001B