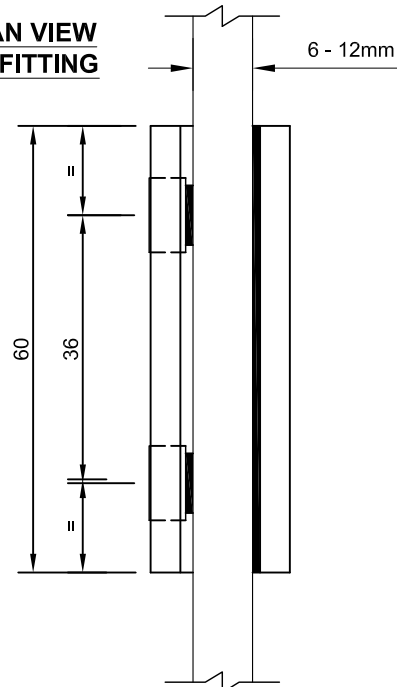
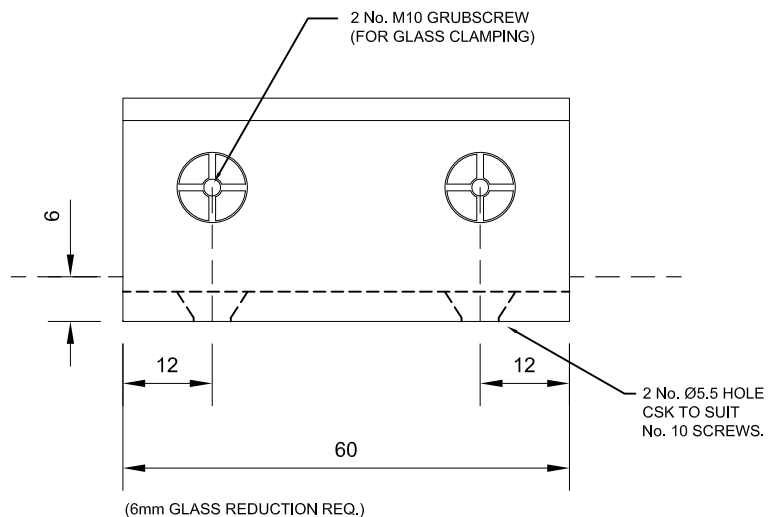


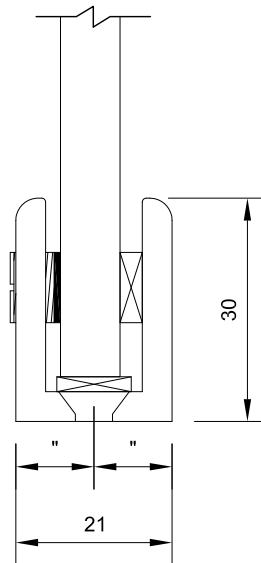
**PLAN VIEW  
ON FITTING**



**FRONT VIEW  
ON FITTING**



**SIDE VIEW  
ON FITTING**



The Vision Group,  
6 Barnes Close,  
Brandon, Suffolk  
IP27 0NY

TEL: +44 (0)1842 816086  
FAX: +44 (0)1842 815515  
WEB: [www.spiralhardware.co.uk](http://www.spiralhardware.co.uk)  
E-MAIL: [info@spiralhardware.co.uk](mailto:info@spiralhardware.co.uk)

Copyright (c) - April 2008, All Rights Reserved

**NOTES/SPECIFICATION:**

ALL FITTING COMPONENTS IN CHROME PLATED BRASS.

PRODUCT SUITABLE FOR 6 TO 12mm TOUGHENED GLASS PANES.

FITTING SUPPLIED COMPLETE WITH:-

- 1) BLACK RUBBER GLAZING WASHERS
- 2) 2 No. M10 x 6mm ST/ST GRUB SCREWS
- 4) 2 No. 10 x 40mm POSI DRIVE SCREWS AND PLASTIC PLUGS

(NOTE CUSTOMER TO PROVIDE ALTERNATIVE FIXINGS WHERE REQUIRED)

<b>PRODUCT REF:</b>	<b>SH/MFC/B01</b>
DESCRIPTION:	DIMENSIONED ELEVATIONS AND GLASS PREP DETAILS * *
<b>DRAWING REF:</b>	<b>SH/MFC/B01 - 001B</b>