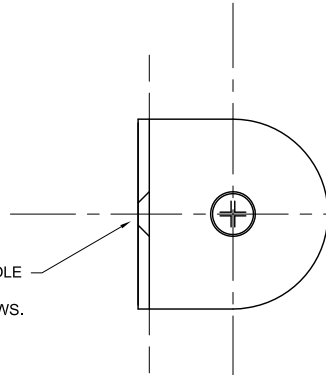


**REAR VIEW  
ON FITTING**

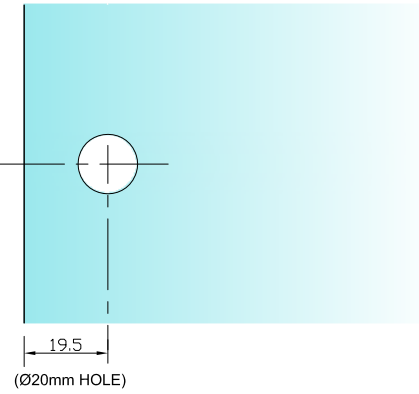
(SCALE 1:2 (A4))

1 No. Ø5,5 HOLE  
CSK TO SUIT  
No. 10 SCREWS.



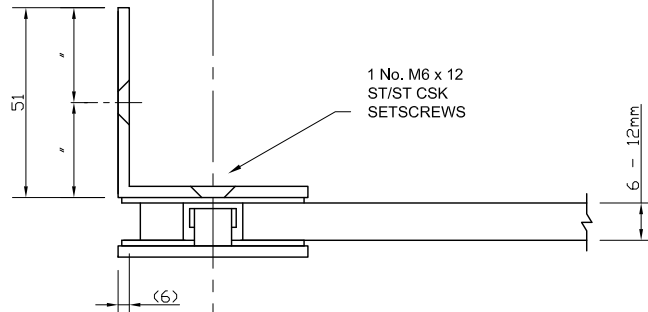
**REQUIRED  
GLASS PREP**

(SCALE 1:2 (A4))



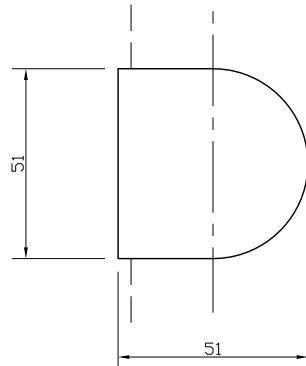
**PLAN VIEW  
ON FITTING**

(SCALE 1:2 (A4))



**FRONT VIEW  
ON FITTING**

(SCALE 1:2 (A4))



(6mm GLASS REDUCTION REQ.)

The Vision Group,  
6 Barnes Close,  
Brandon, Suffolk  
IP27 0NY

**TEL:** +44 (0)1842 816086  
**FAX:** +44 (0)1842 815515  
**WEB:** [www.spiralhardware.co.uk](http://www.spiralhardware.co.uk)  
**E-MAIL:** [info@spiralhardware.co.uk](mailto:info@spiralhardware.co.uk)

Copyright (c) - April 2008, All Rights Reserved

**NOTES/SPECIFICATION:**

- ALL FITTING COMPONENTS IN SATIN STAINLESS STEEL.
- PRODUCT SUITABLE FOR 6 TO 10mm TOUGHENED GLASS PANES.
- FITTING SUPPLIED COMPLETE WITH:-
- 1) 2 No. x 1.25mm TRANSLUCENT RUBBER GLAZING WASHERS.
  - 2) 1 No. M6 x 12mm ST/ST POSI-DRIVE HEAD CSK SETSCREWS.
  - 3) 1 No. 10 x 40mm POSI DRIVE SCREW AND PLASTIC PLUG
- (NOTE CUSTOMER TO PROVIDE ALTERNATIVE FIXINGS WHERE REQUIRED)

<b>PRODUCT REF:</b>	<b>SH/ART/B01</b>
DESCRIPTION:	DIMENSIONED ELEVATIONS AND REQUIRED GLASS PREP DETAIL * *
<b>DRAWING REF:</b>	<b>SH/ART/B01 - 001B</b>