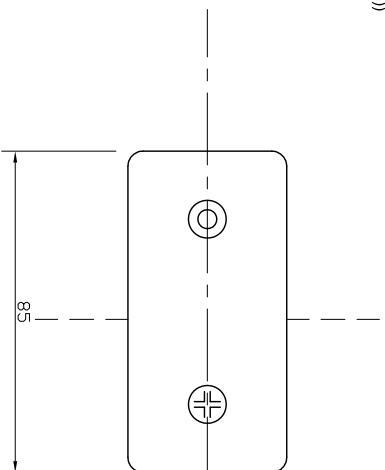


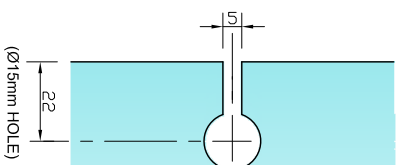
**REAR VIEW
ON FITTING**

(SCALE 1:2 (A4))



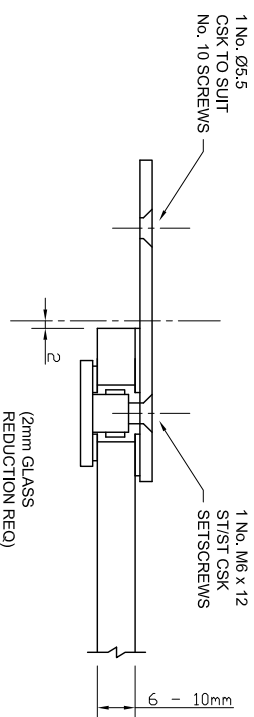
**REQUIRED
GLASS PREP**

(SCALE 1:2 (A4))



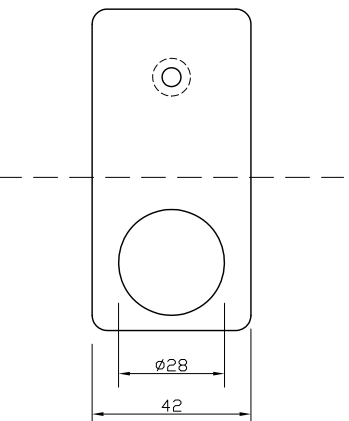
**PLAN VIEW
ON FITTING**

(SCALE 1:2 (A4))



**FRONT VIEW
ON FITTING**

(SCALE 1:2 (A4))



The Vision Group,
6 Barnes Close,
Brandon, Suffolk
IP27 0NY

TEL: +44 (0)1842 816086
FAX: +44 (0)1842 815515
WEB: www.spiralhardware.co.uk
E-MAIL: info@spiralhardware.co.uk

Copyright (c) - April 2008. All Rights Reserved

NOTES/SPECIFICATION:

- ALL FITTING COMPONENTS IN CHROME PLATED BRASS.
- PRODUCT SUITABLE FOR 6 TO 10mm TOUGHENED GLASS PANES.
- HINGED SUPPLIED COMPLETE WITH:-
- 1) 2 No. x 1.25mm TRANSLUCENT RUBBER GLAZING WASHERS,
- 2) 1 No. M6 x 12mm ST/ST POSI DRIVE HEAD CSK SETSCREWS,
- 3) 1 No. 10 x 40mm POSI DRIVE SCREWS AND PLASTIC PLUGS.
- (NOTE CUSTOMER TO PROVIDE ALTERNATIVE FIXINGS WHERE REQUIRED)

PRODUCT REF:	SH/ATU/B05
DESCRIPTION:	DIMENSIONED ELEVATIONS AND REQUIRED GLASS PREP DETAIL
DRAWING REF:	SH/ATU/B05 - 001