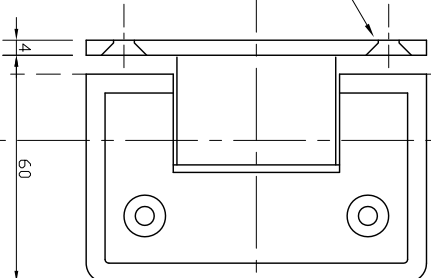
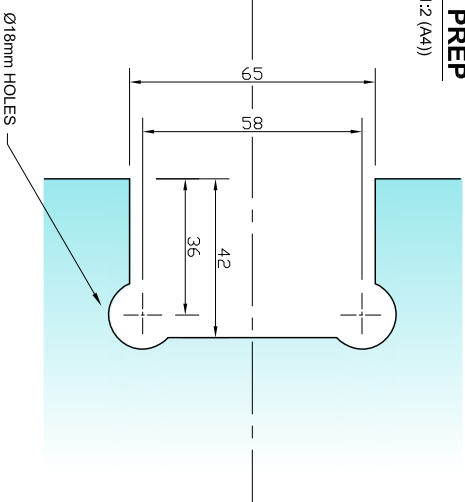


**REAR VIEW
ON HINGE**
(SCALE 1:2 (A4))

4 No. Ø5.5 HOLES
CSK TO SUIT
No. 10 SCREWS.

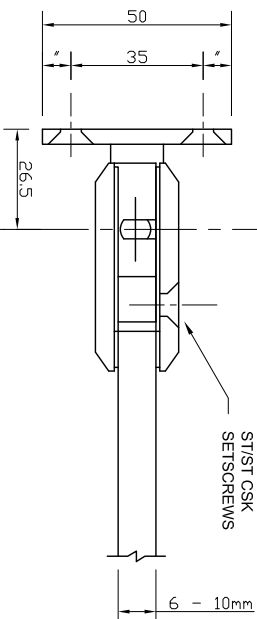


**REQUIRED
GLASS PREP**
(SCALE 1:2 (A4))

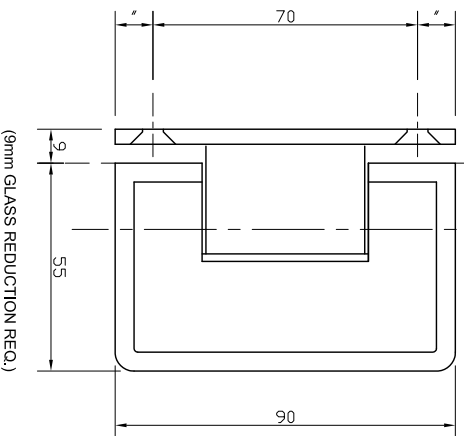


**PLAN VIEW
ON HINGE**
(SCALE 1:2 (A4))

2 No. M6 x 16
ST/ST CSK
SETSCREWS



**FRONT VIEW
ON HINGE**
(SCALE 1:2 (A4))



(9mm GLASS REDUCTION REQ.)



The Vision Group,
6 Barnes Close,
Brandon, Suffolk
IP27 0NY

TEL: +44 (0)1842 816086
FAX: +44 (0)1842 815515
WEB: www.spiralhardware.co.uk
E-MAIL: info@spiralhardware.co.uk

Copyright (c) - April 2008. All Rights Reserved

NOTES/SPECIFICATION:

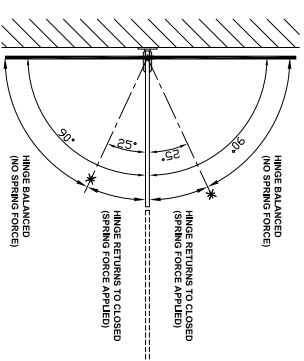
ALL HINGE COMPONENTS IN CHROME PLATED BRASS.

PRODUCT SUITABLE FOR 6 TO 10mm TOUGHENED GLASS PANES.

HINGE SUPPLIED COMPLETE WITH:-

- 1) 2 No. x 1.7mm TRANSLUCENT RUBBER GLAZING WASHERS.
- 2) 2 No. x 1.1mm TRANSLUCENT RUBBER GLAZING WASHERS
- 3) 2 No. M6 x 16mm ST/ST HEX SOCKET HEAD CSK SETSCREWS
- 4) 1 No. HEX SOCKET ALLEN KEY TO SUIT
- 5) 4 No. 10 x 40mm POSI DRIVE SCREWS AND PLASTIC PLUGS

(NOTE CUSTOMER TO PROVIDE ALTERNATIVE FIXINGS WHERE REQUIRED)



PRODUCT REF: SH/APH/H03

DESCRIPTION: DIMENSIONED ELEVATIONS AND REQUIRED GLASS PREP DETAIL

DRAWING REF: SH/APH/H03 - 001