

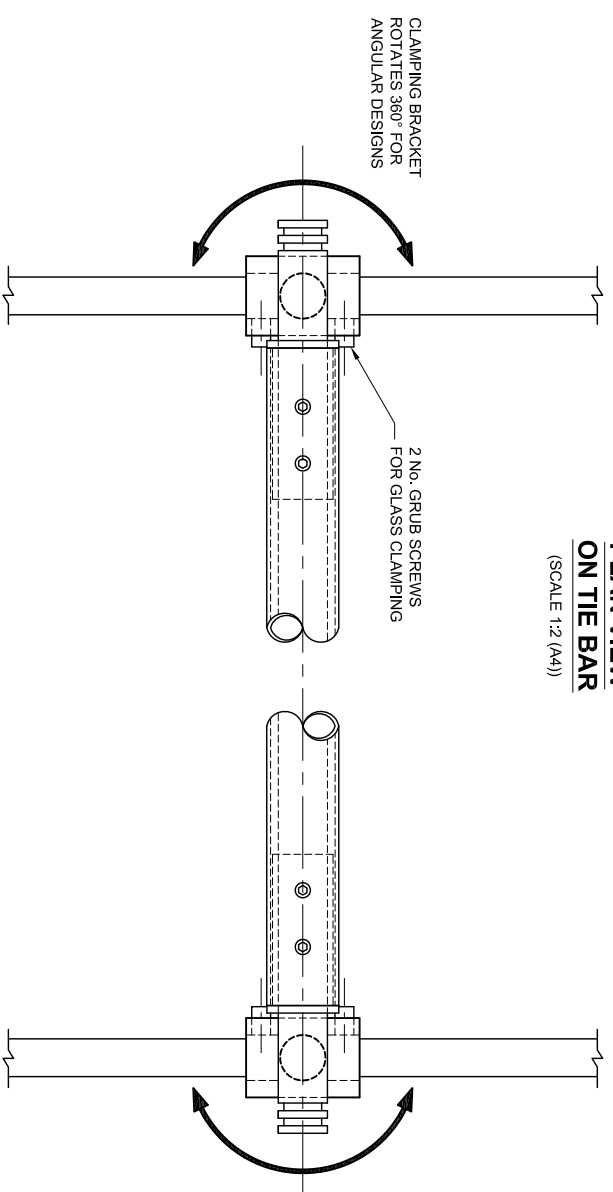


The Vision Group,
6 Barnes Close,
Brandon, Suffolk
IP27 0NY

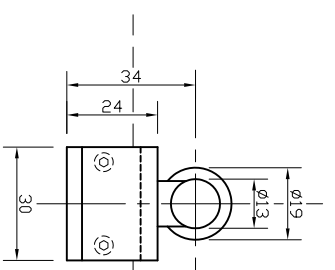
TEL: +44 (0)1842 816086
FAX: +44 (0)1842 815515
WEB: www.spiralhardware.co.uk
E-MAIL: info@spiralhardware.co.uk

Copyright (c) - April 2008. All Rights Reserved

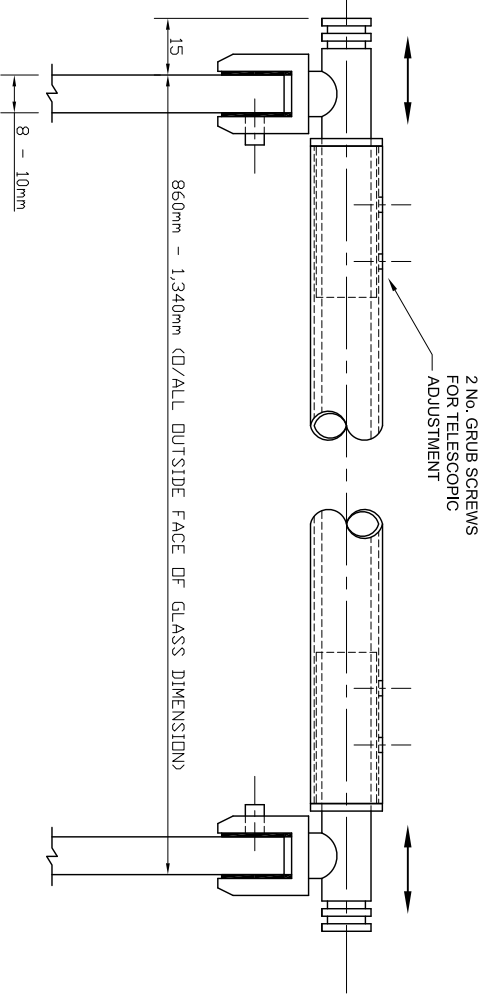
**PLAN VIEW
ON THE BAR**
(SCALE 1:2 (A4))



**FRONT VIEW
ON THE BAR**
(SCALE 1:2 (A4))



**SIDE VIEW
ON THE BAR**
(SCALE 1:2 (A4))



NOTES/SPECIFICATION:

- ALL TIE BAR COMPONENTS IN CHROME PLATED BRASS.
 - PRODUCT SUITABLE FOR 8 TO 10mm TOUGHENED GLASS PANES.
 - TIE BAR SUPPLIED COMPLETE WITH:-
 - 1) 4 No. x 1mm TRANSLUCENT CLAMPING WASHERS.
 - 2) 8 No. STAINLESS STEEL HEX SOCKET GRUB SCREWS.
 - 4) 2 No. HEX SOCKET ALLEN KEYS TO SUIT
- (NOTE CUSTOMER TO PROVIDE ALTERNATIVE FIXINGS WHERE REQUIRED)

PRODUCT REF:	SH/APH/T05
DESCRIPTION:	DIMENSIONED ELEVATIONS AND CONNECTION DETAILS
DRAWING REF:	SH/APH/T05 - 001A