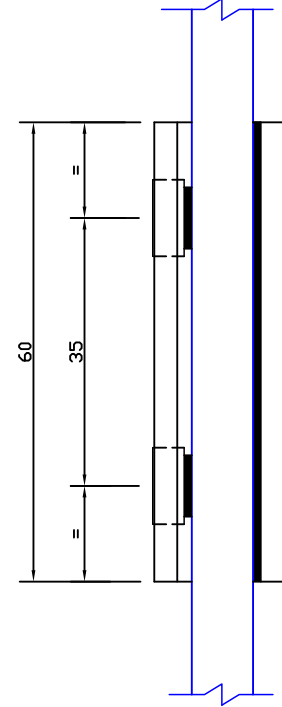


Spiral Hardware Ltd,
 Unit 9 Wimbledon Ave,
 Brandon, Suffolk
 IP27 0NZ

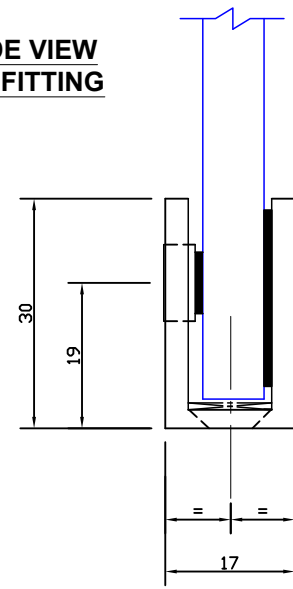
TEL: +44 (0)1842 811818
 FAX: +44 (0)1842 815515
 WEB: www.spiralhardware.co.uk
 E-MAIL: sales@spiralhardware.co.uk

Copyright (c) - Jan 2016, All Rights Reserved

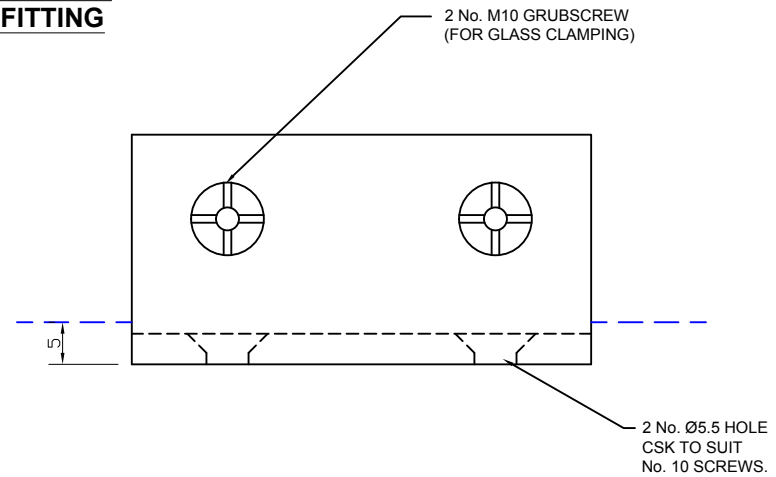
**PLAN VIEW
ON FITTING**



**SIDE VIEW
ON FITTING**



**FRONT VIEW
ON FITTING**



(5mm GLASS REDUCTION REQ.)

NOTES/SPECIFICATION:

ALL FITTING COMPONENTS IN CHROME PLATED BRASS.

PRODUCT SUITABLE FOR 8 TO 10mm TOUGHENED GLASS PANES.

FITTING SUPPLIED COMPLETE WITH:-

- 1) BLACK RUBBER GLAZING WASHERS
- 2) 2 No. M10 x 6mm ST/ST GRUB SCREWS
- 4) 2 No. 10 x 40mm POSI DRIVE SCREWS AND PLASTIC PLUGS

(NOTE CUSTOMER TO PROVIDE ALTERNATIVE FIXINGS WHERE REQUIRED)

PRODUCT REF:	SH/MFC/B05
DESCRIPTION:	DIMENSIONED ELEVATIONS AND GLASS PREP DETAILS * *
DRAWING REF:	SH/MFC/B05 - 001E