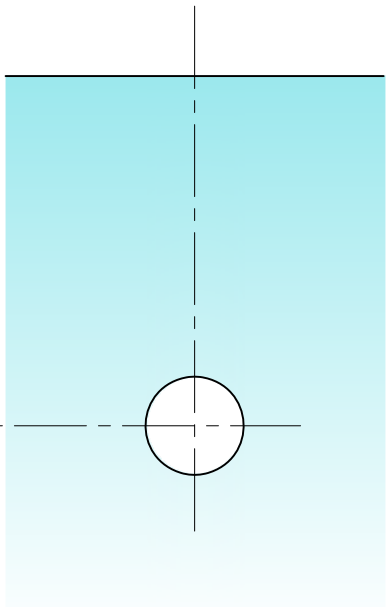


**REQUIRED
GLASS PREP**
(SCALE 1:1 (A4))



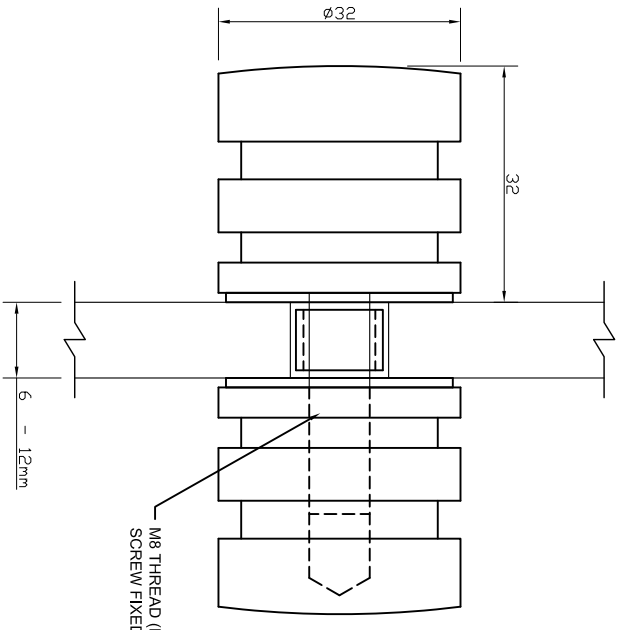
The Vision Group, 6 Barnes Close, Brandon, Suffolk IP27 0NY
 TEL: +44 (0)1842 816086
 FAX: +44 (0)1842 815515
 WEB: www.spiralhardware.co.uk
 E-MAIL: info@spiralhardware.co.uk

Copyright (c) - April 2008. All Rights Reserved

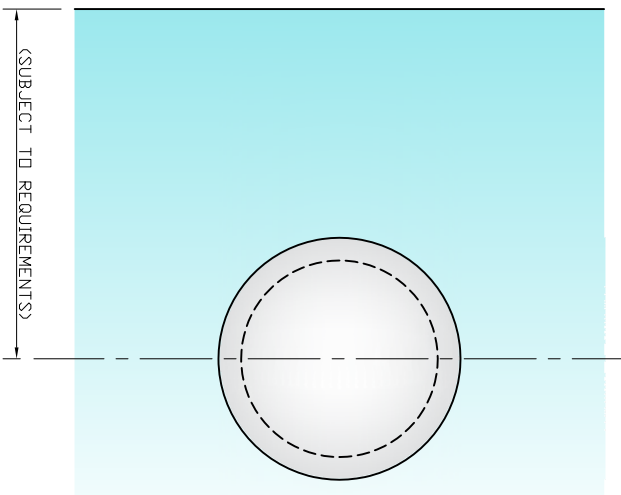
NOTES/SPECIFICATION:

- ALL DOOR KNOB COMPONENTS IN CHROME PLATED BRASS.
- PRODUCT SUITABLE FOR 6 TO 12mm TOUGHENED GLASS PANES.
- DOOR KNOB SUPPLIED COMPLETE WITH:-
- 1) 2 No. x 1.35mm TRANSLUCENT RUBBER GLAZING WASHERS
- 2) 1 No. DIA. 12mm WHITE PLASTIC INSERT TUBE

**SIDE VIEW
ON DOOR KNOB**
(SCALE 1:1 (A4))



**FRONT VIEW
ON DOOR KNOB**
(SCALE 1:1 (A4))



PRODUCT REF:	SH/APH/K03
DESCRIPTION:	DIMENSIONED ELEVATIONS AND GLASS PREP DETAILS
DRAWING REF:	SH/APH/K03 - 001