

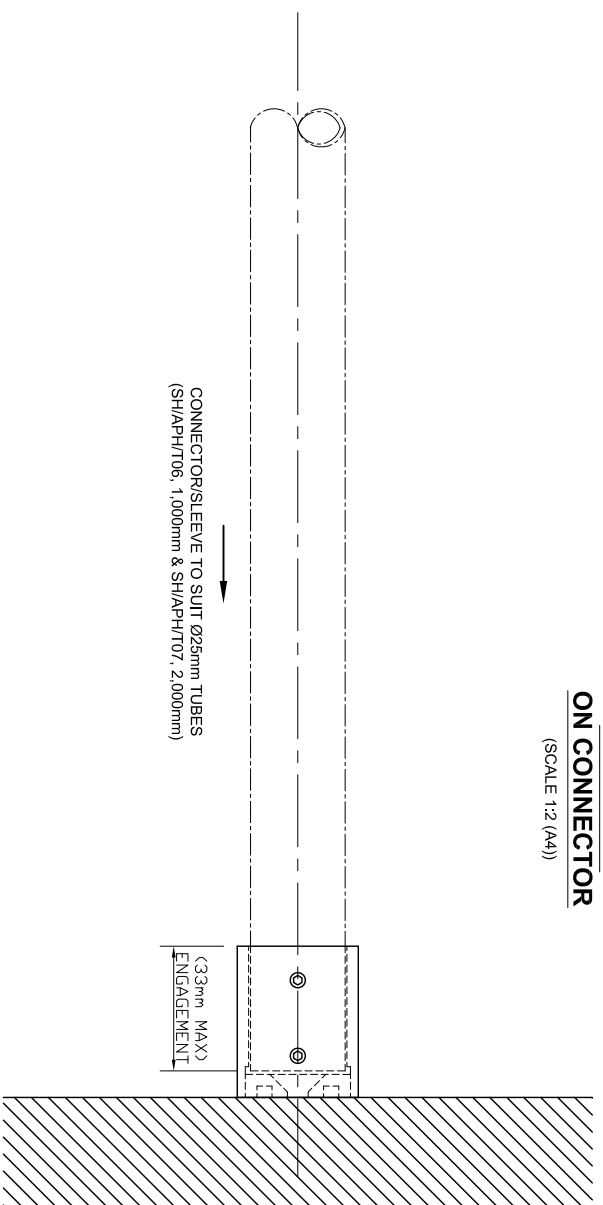


The Vision Group,
6 Barnes Close,
Brandon, Suffolk
IP27 0NY

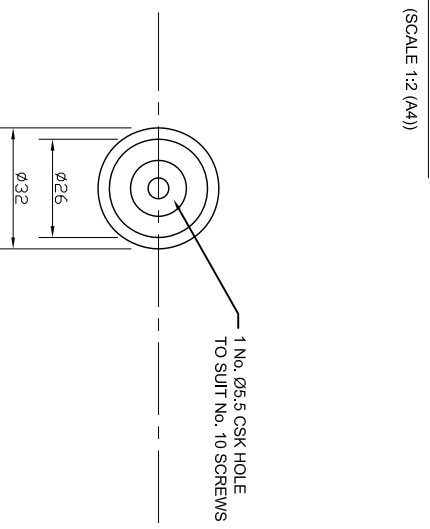
TEL: +44 (0)1842 816086
FAX: +44 (0)1842 815515
WEB: www.spiralhardware.co.uk
E-MAIL: info@spiralhardware.co.uk

Copyright (c) - April 2008. All Rights Reserved

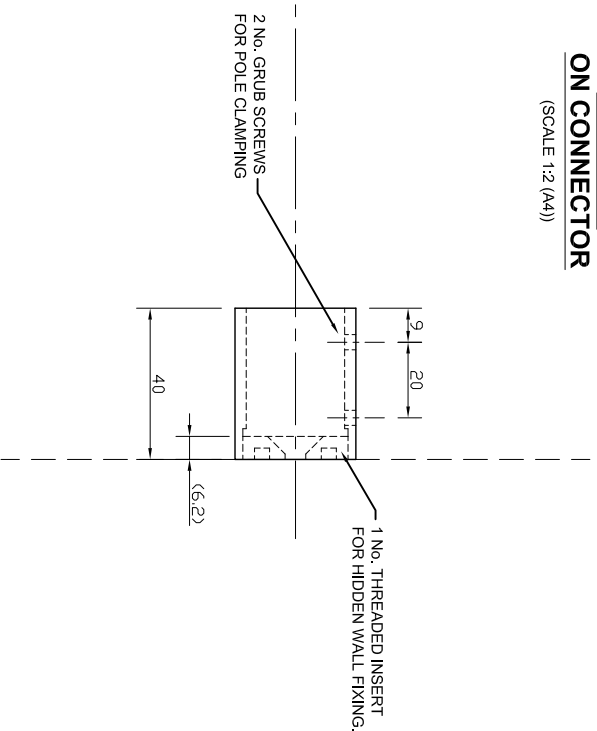
**PLAN VIEW
ON CONNECTOR**
(SCALE 1:2 (A4))



**END VIEW
ON CONNECTOR**
(SCALE 1:2 (A4))



**SIDE VIEW
ON CONNECTOR**
(SCALE 1:2 (A4))



NOTES/SPECIFICATION:

- ALL THE BAR CONNECTOR COMPONENTS IN CHROME PLATED BRASS.
THE BAR CONNECTOR SUPPLIED COMPLETE WITH:-
- 1) 2 No. STAINLESS STEEL HEX SOCKET GRUB SCREWS.
 - 2) 1 No. HEX SOCKET ALLEN KEY TO SUIT
 - 3) 1 No. 10 x 40mm POSI DRIVE SCREW AND PLASTIC PLUG

(NOTE CUSTOMER TO PROVIDE ALTERNATIVE FIXINGS WHERE REQUIRED)

THE BAR CONNECTOR SUITABLE FOR Ø25mm THE BAR TUBES:-

- | | | |
|------------|---|---------------------------------------|
| SH/APH/T06 | - | (1,000mm LENGTH, CHROME PLATED BRASS) |
| SH/APH/T07 | - | (2,000mm LENGTH, CHROME PLATED BRASS) |

PRODUCT REF: SH/APH/T08

DESCRIPTION: DIMENSIONED ELEVATIONS AND CONNECTION DETAILS

DRAWING REF: SH/APH/T08 - 001