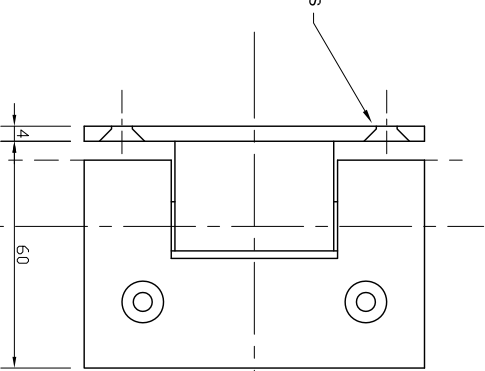
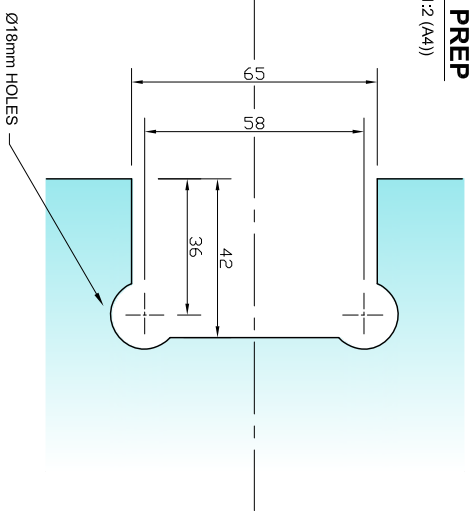


**REAR VIEW  
ON HINGE**  
(SCALE 1:2 (A4))

4 No. Ø5.5 HOLES  
CSK TO SUIT  
No. 10 SCREWS.

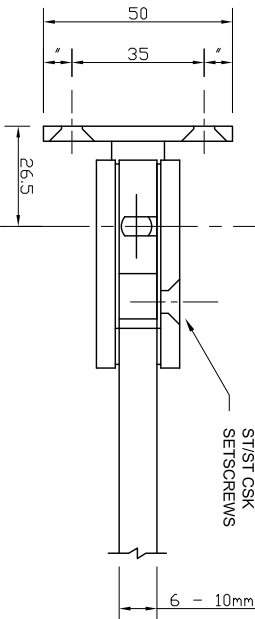


**REQUIRED  
GLASS PREP**  
(SCALE 1:2 (A4))

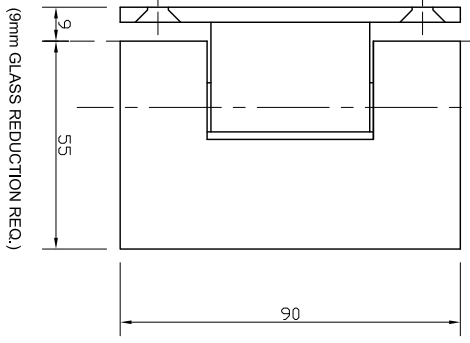


**PLAN VIEW  
ON HINGE**  
(SCALE 1:2 (A4))

2 No. M6 x 16  
ST/ST CSK  
SETSCREWS



**FRONT VIEW  
ON HINGE**  
(SCALE 1:2 (A4))



(9mm GLASS REDUCTION REQ.)



The Vision Group,  
6 Barnes Close,  
Brandon, Suffolk  
IP27 0NY

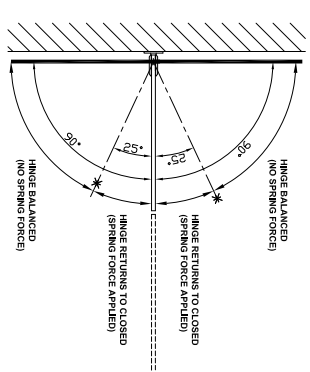
TEL: +44 (0)1842 816086  
FAX: +44 (0)1842 815515  
WEB: www.spiralhardware.co.uk  
E-MAIL: info@spiralhardware.co.uk

Copyright (c) - April 2008. All Rights Reserved

**NOTES/SPECIFICATION:**

- ALL HINGE COMPONENTS IN CHROME PLATED BRASS.  
PRODUCT SUITABLE FOR 6 TO 10mm TOUGHENED GLASS PANES.  
HINGE SUPPLIED COMPLETE WITH:-
- 1) 2 No. x 1.7mm TRANSLUCENT RUBBER GLAZING WASHERS.
  - 2) 2 No. x 1.1mm TRANSLUCENT RUBBER GLAZING WASHERS
  - 3) 2 No. M6 x 16mm ST/ST HEX SOCKET HEAD CSK SETSCREWS
  - 4) 1 No. HEX SOCKET ALLEN KEY TO SUIT
  - 5) 4 No. 10 x 40mm POSI DRIVE SCREWS AND PLASTIC PLUGS

(NOTE CUSTOMER TO PROVIDE ALTERNATIVE FIXINGS WHERE REQUIRED)



<b>PRODUCT REF:</b>	<b>SH/ATU/H02</b>
<b>DESCRIPTION:</b>	<b>DIMENSIONED ELEVATIONS AND REQUIRED GLASS PREP DETAIL</b>
<b>DRAWING REF:</b>	<b>SH/ATU/H02 - 001</b>