

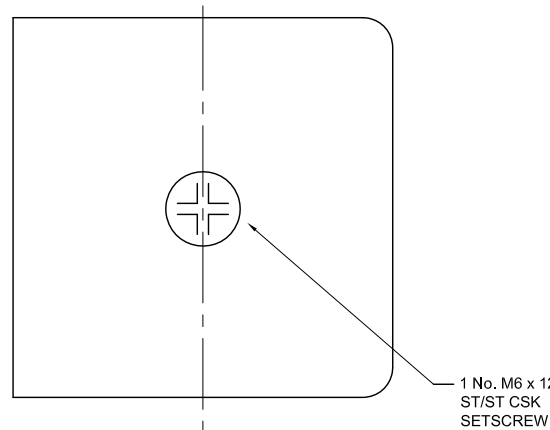
The Vision Group,  
6 Barnes Close,  
Brandon, Suffolk  
IP27 0NY

TEL: +44 (0)1842 816086  
FAX: +44 (0)1842 815515  
WEB: [www.spiralhardware.co.uk](http://www.spiralhardware.co.uk)  
E-MAIL: [info@spiralhardware.co.uk](mailto:info@spiralhardware.co.uk)

Copyright (c) - April 2008, All Rights Reserved

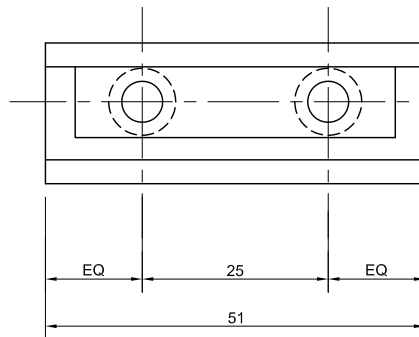
### BACK VIEW ON FITTING

(SCALE 1:1 (A4))



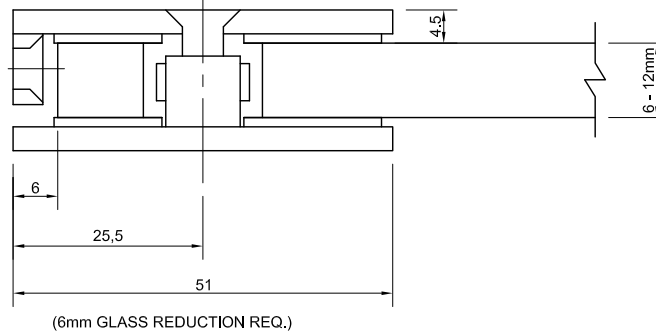
### REAR VIEW ON FITTING

(SCALE 1:1 (A4))



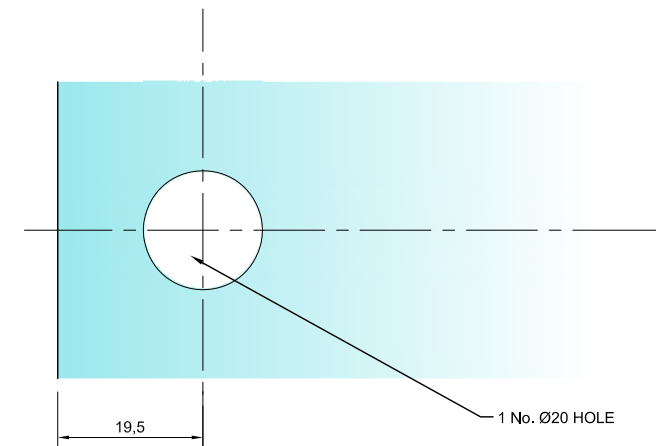
### SECTION THROUGH FITTING

(SCALE 1:1 (A4))



### REQUIRED GLASS PREP

(SCALE 1:1 (A4))



### NOTES/SPECIFICATION:

ALL FITTING COMPONENTS IN CHROME PLATED BRASS.

PRODUCT SUITABLE FOR 6 TO 10mm TOUGHENED GLASS PANES.

FITTING SUPPLIED COMPLETE WITH:-

- 1) 2 No. x 1.25mm TRANSLUCENT RUBBER GLAZING WASHERS
- 2) 1 No. M6 x 12mm ST/ST POSI DRIVE CSK SETSCREWS
- 4) 2 No. 12 x 40mm CSK POSI DRIVE SCREWS AND PLASTIC PLUGS

(NOTE CUSTOMER TO PROVIDE ALTERNATIVE FIXINGS WHERE REQUIRED)

<b>PRODUCT REF:</b>	<b>SH/APH/B05</b>
DESCRIPTION:	DIMENSIONED ELEVATIONS AND GLASS PREP DETAILS * *
<b>DRAWING REF:</b>	<b>SH/APH/B05 - 001C</b>