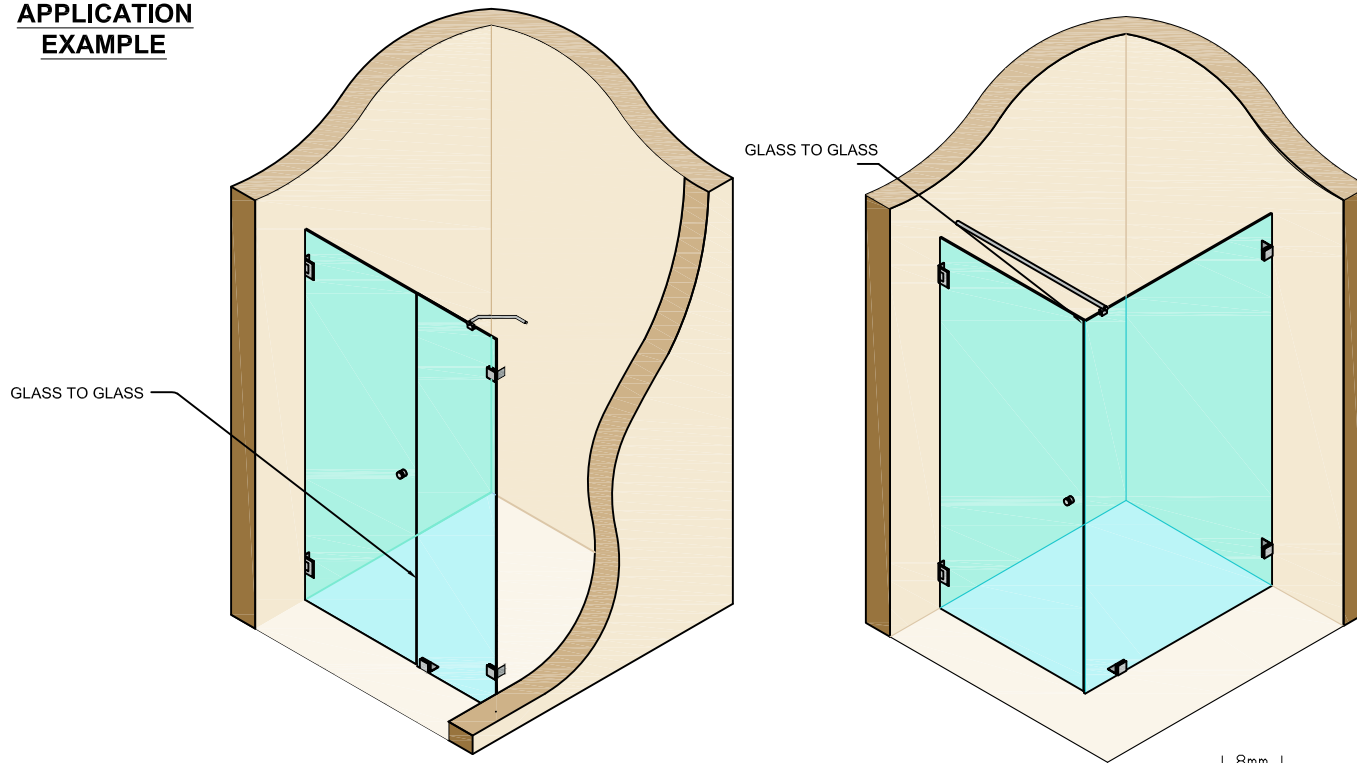


**APPLICATION
EXAMPLE**



The Vision Group,
6 Barnes Close,
Brandon, Suffolk
IP27 0NY

TEL: +44 (0)1842 816086
FAX: +44 (0)1842 815515
WEB: www.spiralhardware.co.uk
E-MAIL: info@spiralhardware.co.uk

Copyright (c) - April 2008, All Rights Reserved

NOTES/SPECIFICATION:

GLAZING SEALS SUPPLIED TRANSLUCENT PLASTIC AND RUBBER PROFILES.

GLAZING SEAL SUITABLE FOR 8mm GLASS PANES

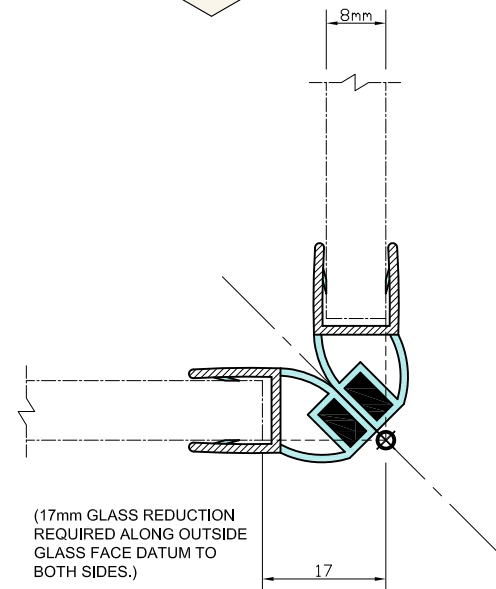
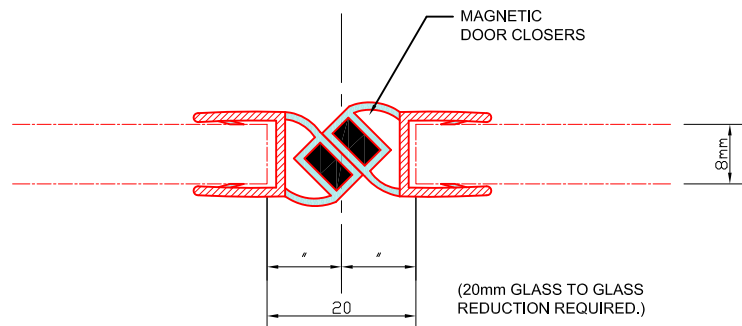
PLEASE NOTE THE REQUIRED GLASS REDUCTION ALONG THE ASSOCIATED SEAL DETAIL.

**END VIEW
ON SEAL**

(SCALE 1:1 (A4))

SEAL SUITABLE FOR GLASS TO GLASS
180 DEGREE OR 90 DEGREE INTERFACES
(DESIGN FOR DOOR LEADING EDGES)

SEALS PROVIDED IN PAIRS
@ 2.2m LENGTHS.



PRODUCT REF:	SH/GGA/S01
DESCRIPTION:	DIMENSIONED ELEVATIONS AND PRODUCT DETAILS
	*
	*
DRAWING REF:	SH/GGA/S01 - 001C