



The Vision Group,
6 Barnes Close,
Brandon, Suffolk
IP27 0NY

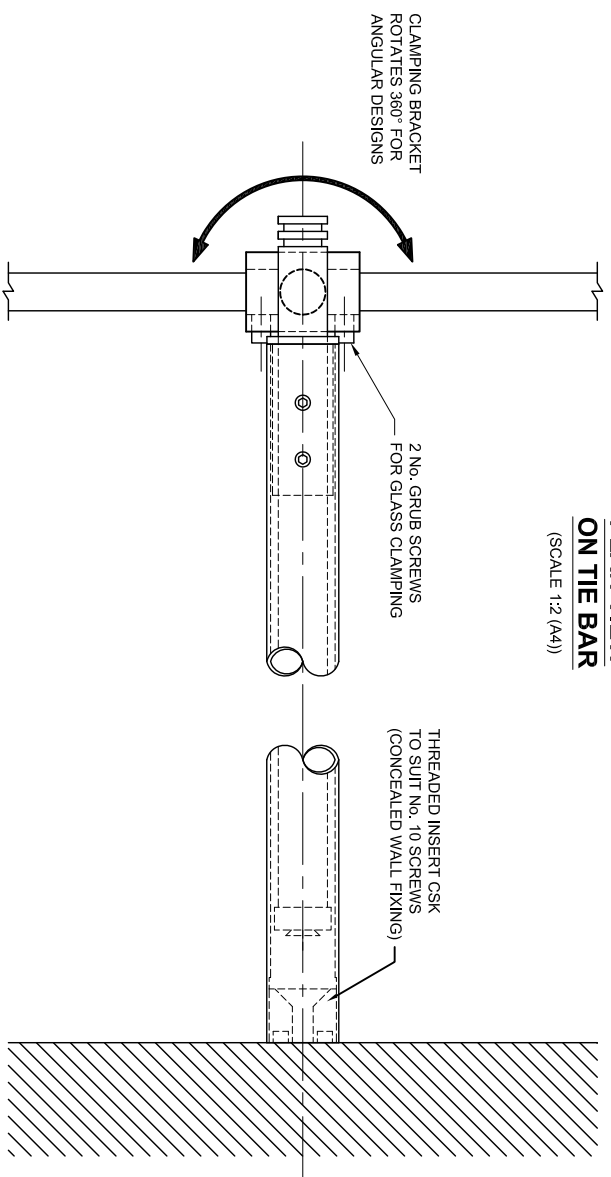
TEL: +44 (0)1842 816086
FAX: +44 (0)1842 815515
WEB: www.spiralhardware.co.uk
E-MAIL: info@spiralhardware.co.uk

Copyright (c) - April 2008. All Rights Reserved

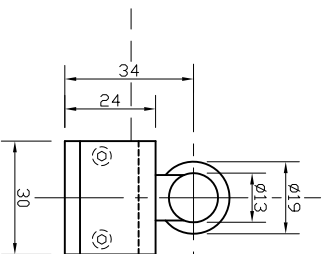
NOTES/SPECIFICATION:

- ALL THE BAR COMPONENTS IN CHROME PLATED BRASS.
 - PRODUCT SUITABLE FOR 8 TO 10mm TOUGHENED GLASS PANEES.
 - THE BAR SUPPLIED COMPLETE WITH:-
 - 1) 2 No. x 1mm TRANSLUCENT CLAMPING WASHERS.
 - 2) 4 No. STAINLESS STEEL HEX SOCKET GRUB SCREWS.
 - 4) 2 No. HEX SOCKET ALLEN KEYS TO SUIT
 - 5) 1 No. 10 x 40mm POSI DRIVE SCREW AND PLASTIC PLUG
- (NOTE CUSTOMER TO PROVIDE ALTERNATIVE FIXINGS WHERE REQUIRED)

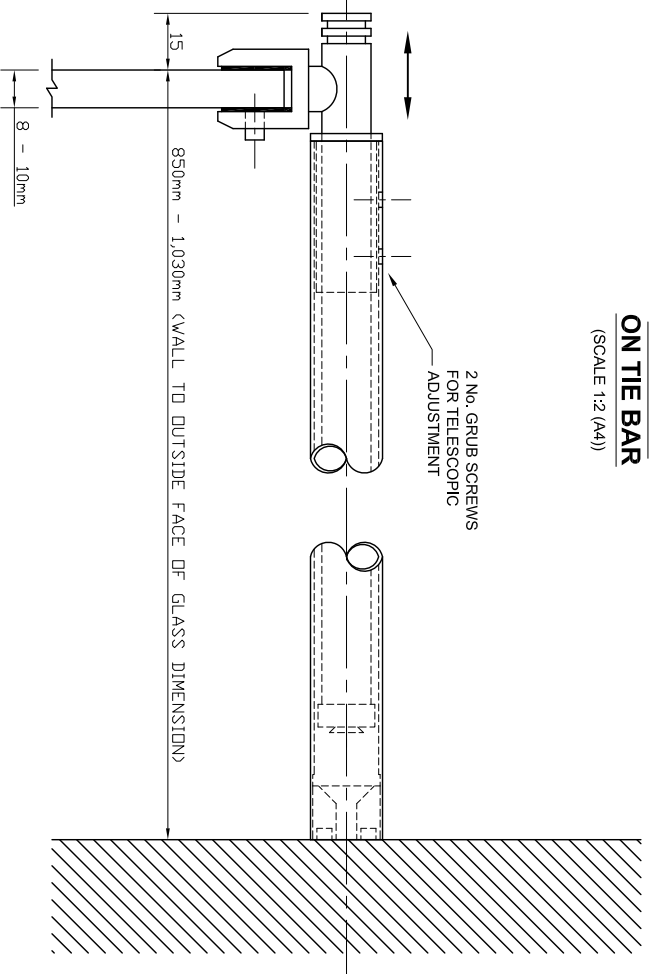
**PLAN VIEW
ON THE BAR**
(SCALE 1:2 (A4))



**FRONT VIEW
ON THE BAR**
(SCALE 1:2 (A4))



**SIDE VIEW
ON THE BAR**
(SCALE 1:2 (A4))



PRODUCT REF: SH/APH/T02

DESCRIPTION: DIMENSIONED ELEVATIONS AND CONNECTION DETAILS

DRAWING REF: SH/APH/T02 - 001