

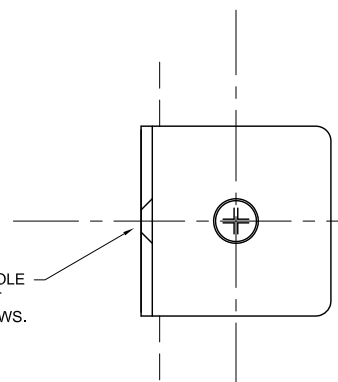
The Vision Group,
6 Barnes Close,
Brandon, Suffolk
IP27 0NY

TEL: +44 (0)1842 816086
FAX: +44 (0)1842 815515
WEB: www.spiralhardware.co.uk
E-MAIL: info@spiralhardware.co.uk

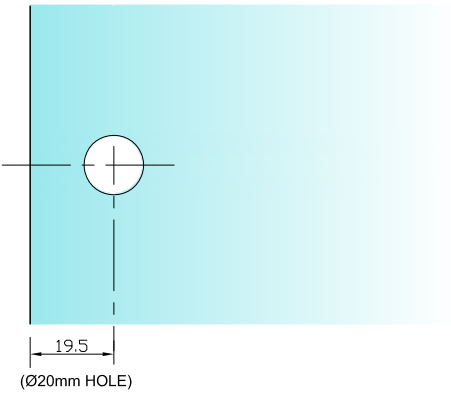
Copyright (c) - April 2008, All Rights Reserved

**REAR VIEW
ON FITTING**
(SCALE 1:2 (A4))

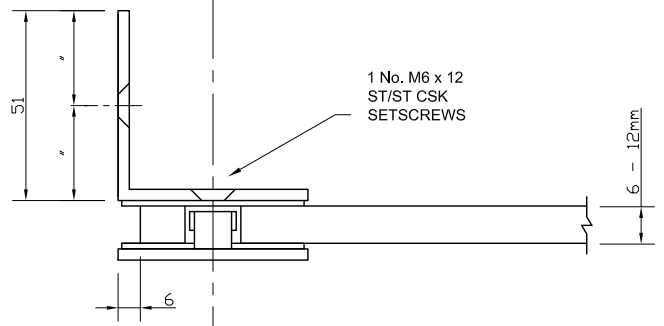
1 No. Ø5.5 HOLE
CSK TO SUIT
No. 10 SCREWS.



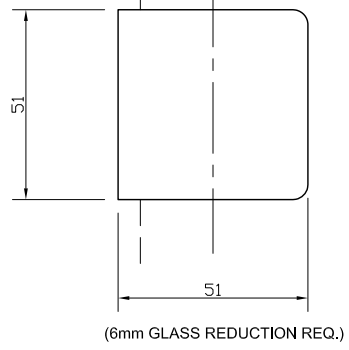
**REQUIRED
GLASS PREP**
(SCALE 1:2 (A4))



**PLAN VIEW
ON FITTING**
(SCALE 1:2 (A4))



**FRONT VIEW
ON FITTING**
(SCALE 1:2 (A4))



NOTES/SPECIFICATION:

ALL FITTING COMPONENTS IN CHROME PLATED BRASS.

PRODUCT SUITABLE FOR 6 TO 10mm TOUGHENED GLASS PANES.

FITTING SUPPLIED COMPLETE WITH:-

- 1) 2 No. x 1.25mm TRANSLUCENT RUBBER GLAZING WASHERS.
- 2) 1 No. M6 x 12mm ST/ST POSI-DRIVE HEAD CSK SETSCREWS.
- 3) 1 No. 12 x 40mm CSK POSI DRIVE SCREW AND PLASTIC PLUG

(NOTE CUSTOMER TO PROVIDE ALTERNATIVE FIXINGS WHERE REQUIRED)

PRODUCT REF:	SH/APH/B01
DESCRIPTION:	DIMENSIONED ELEVATIONS AND REQUIRED GLASS PREP DETAIL * *
DRAWING REF:	SH/APH/B01 - 001B