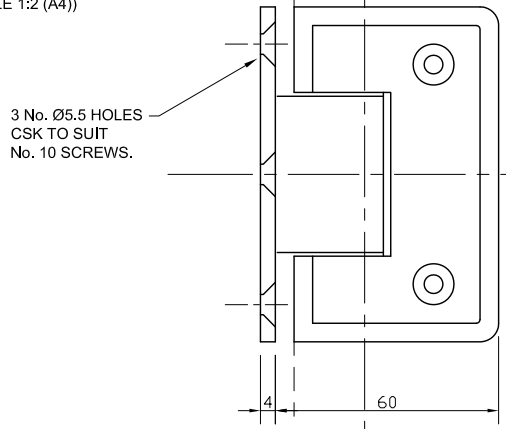


The Vision Group,  
6 Barnes Close,  
Brandon, Suffolk  
IP27 0NY

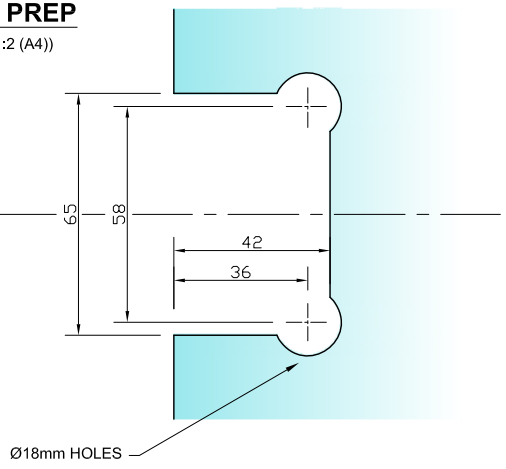
TEL: +44 (0)1842 816086  
FAX: +44 (0)1842 815515  
WEB: [www.spiralhardware.co.uk](http://www.spiralhardware.co.uk)  
E-MAIL: [info@spiralhardware.co.uk](mailto:info@spiralhardware.co.uk)

Copyright (c) - April 2008, All Rights Reserved

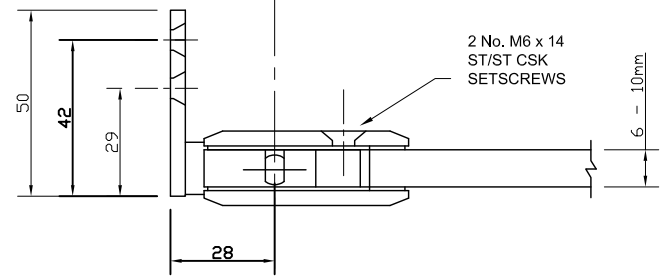
**REAR VIEW  
ON HINGE**  
(SCALE 1:2 (A4))



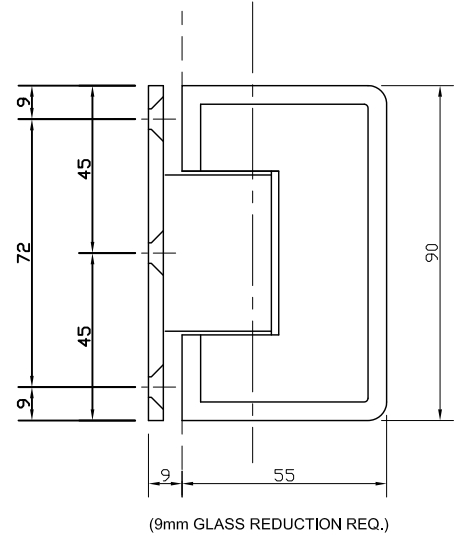
**REQUIRED  
GLASS PREP**  
(SCALE 1:2 (A4))



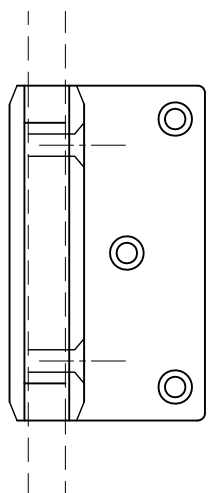
**PLAN VIEW  
ON HINGE**  
(SCALE 1:2 (A4))



**FRONT VIEW  
ON HINGE**  
(SCALE 1:2 (A4))



**SIDE VIEW  
ON HINGE**  
(SCALE 1:2 (A4))



**NOTES/SPECIFICATION:**

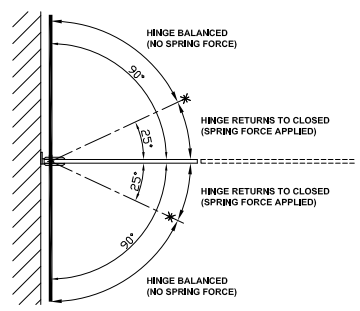
ALL HINGE COMPONENTS IN CHROME PLATED BRASS.

PRODUCT SUITABLE FOR 6 TO 10mm TOUGHENED GLASS PANES.

HINGE SUPPLIED COMPLETE WITH:-

- 1) 2 No. x 1.7mm TRANSLUCENT RUBBER GLAZING WASHERS.
- 2) 2 No. x 1.1mm TRANSLUCENT RUBBER GLAZING WASHERS
- 3) 2 No. M6 x 14mm ST/ST HEX SOCKET HEAD CSK SETSCREWS WITH CHROME CAPS
- 4) 1 No. HEX SOCKET ALLEN KEY TO SUIT
- 5) 3 No. 10 x 40mm POSI DRIVE SCREWS AND PLASTIC PLUGS

(NOTE CUSTOMER TO PROVIDE ALTERNATIVE FIXINGS WHERE REQUIRED)



<b>PRODUCT REF:</b>	<b>SH/APH/H01</b>
<b>DESCRIPTION:</b>	DIMENSIONED ELEVATIONS AND REQUIRED GLASS PREP DETAIL * *
<b>DRAWING REF:</b>	<b>SH/APH/H01 - 001B</b>