

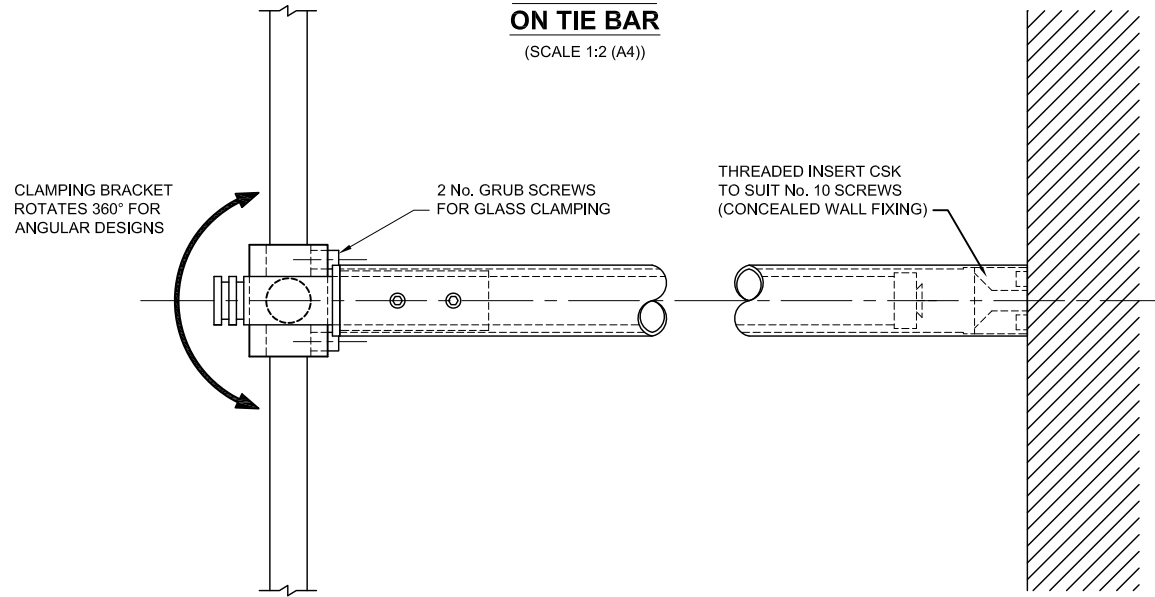
The Vision Group,
6 Barnes Close,
Brandon, Suffolk
IP27 0NY

TEL: +44 (0)1842 816086
FAX: +44 (0)1842 815515
WEB: www.spiralhardware.co.uk
E-MAIL: info@spiralhardware.co.uk

Copyright (c) - April 2008, All Rights Reserved

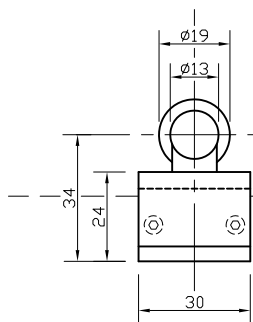
PLAN VIEW ON TIE BAR

(SCALE 1:2 (A4))



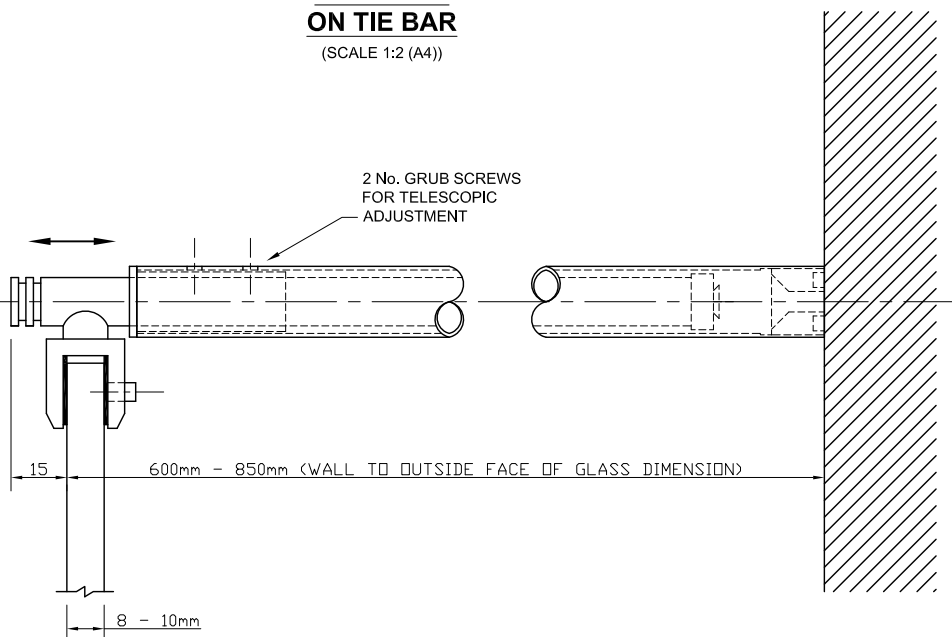
FRONT VIEW ON TIE BAR

(SCALE 1:2 (A4))



SIDE VIEW ON TIE BAR

(SCALE 1:2 (A4))



NOTES/SPECIFICATION:

ALL TIE BAR COMPONENTS IN CHROME PLATED BRASS.

PRODUCT SUITABLE FOR 8 TO 10mm TOUGHENED GLASS PANES.

TIE BAR SUPPLIED COMPLETE WITH:-

- 1) 2 No. x 1mm TRANSLUCENT CLAMPING WASHERS.
- 2) 4 No. STAINLESS STEEL HEX SOCKET GRUB SCREWS.
- 4) 2 No. HEX SOCKET ALLEN KEYS TO SUIT
- 5) 1 No. 10 x 40mm POSI DRIVE SCREW AND PLASTIC PLUG

WALL FIXING CONCEALED INSIDE TUBE.

(NOTE CUSTOMER TO PROVIDE ALTERNATIVE FIXINGS WHERE REQUIRED)

PRODUCT REF:	SH/APH/T01
DESCRIPTION:	DIMENSIONED ELEVATIONS AND CONNECTION DETAILS * *
DRAWING REF:	SH/APH/T01 - 001B